

Esfahan Alumin Company

# TAKNOOR



Manufacturer of Street lights , Park , Floodlights , LED

Advice on Street lighting and Metering



# General Products Catalogue

□ ..... □

The information contained in this catalog is always the latest edition of the technical specifications of the products. With this mode, the Taknoor may make changes in the products after the last edit to improve the quality of their products.

2021-2022



International  
Quality  
Certifications

Taknoor  
Product  
Guarantee





## Contents



About Taknoor 2



Honors and certificates 3



Taknoor units 4



Products preview 6



Products Symbol glossary 7

## Outdoor Lighting



Street lights 8



Park & Grass lights 24



Flood lights 38

## Indoor & Outdoor Lighting



Ceiling Panels 48



LED Bulbs 55



Inground & wallwasher lights 56



Street lights Poles 58



Taknoor Virtual community 60



Esfahan Alumin Company was registered in 1980 in the Department for Registration of Esfahan Company's with the aim to produce aluminum products and started utilizing in 1981. With regard to the periods of the country, this company proceeded to development plan with the aim of production of different types of street, park and workshop lights.

This company with more than 20 years of experience and update knowledge would be able to present consulting service and produce high-quality products according to modern standards. This company could absorb customers' satisfaction benefiting experienced and specialized manpower, using laboratory and workshop equipment, having wide relations and presenting after sale products and has achieved a high rank in the power and lighting industry of the country.

Now, Esfahan Alumin company with the commercial brand of Esfahan Taknoor is producer of all street, park, Illuminator and LED lamps and also Esghan Alomin laboratory with the brand of Taknoor has succeeded to achieve the partner laboratory competency approval from standard general department and this company is holder of Iran national mark and management system certifications of ISO 9001, ISO 10002, ISO 10004 in the field of lighting productions. Our obligations to quality Excellence and promotion lead to achieving may honors and achievements.





## Honors and certificates

However our approach to the quality category is not limited to receiving various certifications but obligation to quality in business , in manufacturing products and presenting service caused Esfahan Alumin Company with Taknoor commercial brand to receive the highest national and global standards



Selection of Esfahan Alumin Company with Taknoor Brand as a provincial sample unit



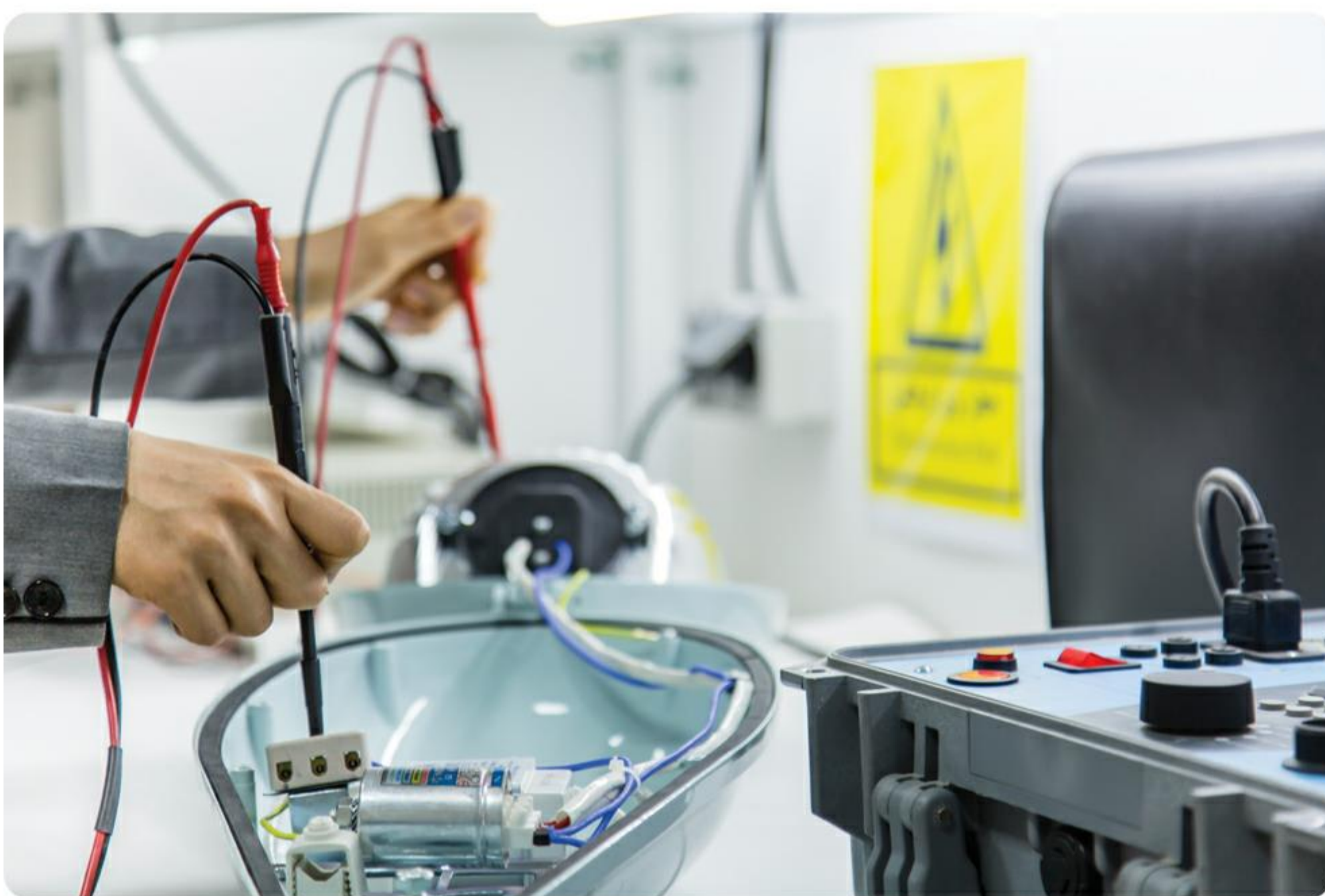


### Quality assurance & Quality control

Quality control unit using experienced experts inspects all raw materials, before, during and after production according to control standards and controls all stages in terms of products tracking and identification by the travel card. Then results are controlled and recorded. Quality assurance unit in addition to providing all control infrastructures in terms of consistency and assurance of all products prepare and presents period reports of company's performance in the sections of quality management 'systems, customers' complaint management and customers satisfaction and monitoring management.



### Partner standard Lab



Specialized Lighting laboratory of this company having laboratory modern and advanced equipment in order to present better service to customers and ensuring buyers has taken an effective step to present standard products so that has succeeded to receive partner laboratory ,certificate from standard department in 2016 .Electrical mechanical, chemical, soli and water IP tests, and also optical test for Photometry test and measuring optic parameters are of types of quality control tests performed in the partner laboratory of Esfahan Alumin company.

### Research & Development

To provide a customer expected quality in competition market it is necessary to progress along with the rapid growth of technology in the world and present the most productivity and flexibility in exposure to the knowledge of the day. Specialization of activities requires using creativity and industrial innovation and applied researches that lead to varied products and absorbing the new markets. Research and development unit of Esfahan Alumin Company tries to achieve the determined purposes according to ,need assessment, definition and execution of research plans relying on the young manpower and supporting the personnel's ideas.





### Techno-engineering & Molding

Performing planning computations, presenting recipe, determining tolerances and presenting technical consulting services is performed in this unit. In this unit, all needs of beneficiaries are satisfied using mapping software and preparing maps of the all lighting products with all pieces manufacture details. In this unit, all light products' molds are produced, assembly and test by accurate control and inspection. Then the produced mold is delivered to the manufacture unit . All molds are produced according to the engineering planning unit maps and of standard raw material.



### Production & Assembly



Company's production unit is required to manage production planning and manufacture of products . The company's production unit is required to manage the production planning Task starts with planning and scheduling all required items including raw material, manpower, machinery etc. and end to production of types of street, park and Illuminator products Of course, this is not achieved unless having specialized ,workshops and machinery including die casting workshop metal working and bending workshop, coloring workshop and finally all produced pieces in the different workshops are collected and in the assembly saloon by observing the state quality control and the final assembly is performed.

### Sale & Marketing

Sale and marketing unit of Esfahan Alumin has founded its activity with the aim of all affairs leading to identification, maintenance and development of domestic customers. This unit as one of the customer related units is proud to present standard, healthy and high quality products by observing customers' rights and having clear relations.







### Street Lights HID

Outdoor lighting



Ghamar  
T01



Shams  
T02



Badr  
T03



### Street Lights LED

Outdoor lighting



Venus S cob  
T17-01



Venus S  
T17-02



Venus S  
T17-02



Venus S  
T17-02



Venus M  
T17-03



### Park & Grass Lights LED & CFL

Outdoor lighting



Morvarid  
T15-02



Sadaf  
T05



Sadaf led  
T06



Sadaf ring led  
T06-03



Atarin led  
T27-01



Atarin led  
T27-02



### Flood Lights HID



### Inground & wallwasher



Ofogh  
symmetrical  
T04-01



Ofogh  
Asymmetrical  
T04-02



Ofogh  
street light  
T04-03



Aseman 1  
T07



Aseman 2  
T08



Taban  
T24



Soha  
T25

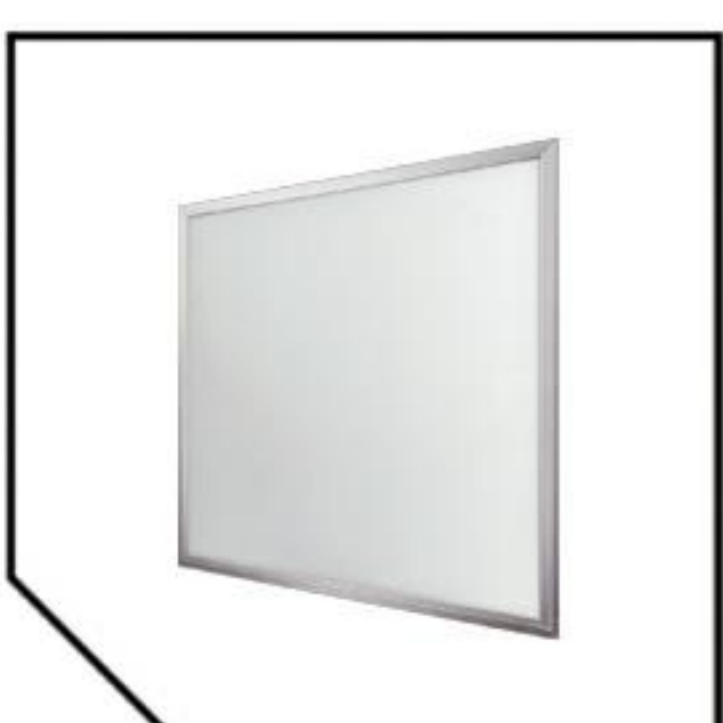


### Ceiling Panels & Bulb LED

Indoor lighting



### Street Lights Poles



Mahtab H light  
T22-01



Mahtab Back light  
T22-02



Mahtab circular  
T22-03



LED bulb  
T23



Kahroba  
T26-01



## Products Symbol glossary

	high frequency motion sensor		loop through		reduced projection		minimum distance from the illuminated objects
	infrared motion sensor		fuse		reduced installation depth		mountable on normally flammable surfaces
	emergency luminaire 1 h		hot restrike		light effects		glow wire resistance
	emergency luminaire 2 h		double switch		diffused light emission		ceiling luminaire
	emergency luminaire 3 h		adjustable louvre		symmetrical light emission		wall luminaire
	emergency luminaire 3 h		dimmable 10-1V		asymmetrical light emission		suspended luminaire
	full cut-off		dimmable DALI		circular light emission		luminaire for track mounting
	LED luminaire		dawn-dusk switch		elliptical light emission		Projector Fixtures
	installation without tools		luminaire free-standing		continuous mounted luminaire		recessed ceiling luminaire
	heavy use conditions		movable luminaire		walk-over luminaire		wall recessed luminaire
	modular		flood lighting		IP degree of protection		In-Ground Lights
	drive-over luminaire		submerged mounting		class I		raceway mounting
	side cable entry		street lighting		class II		High PF
	through wiring connection		post luminaire		class III	 Upon the Customer Request	



## Street Lights

# Outdoor lighting

# Street lights



## Street Lights



- Ability to install the 35-50-70 watt lamp
- Securite glass for less glare and more safety
- High sealing and electrostatic powder coating
- For use in alleys local passages

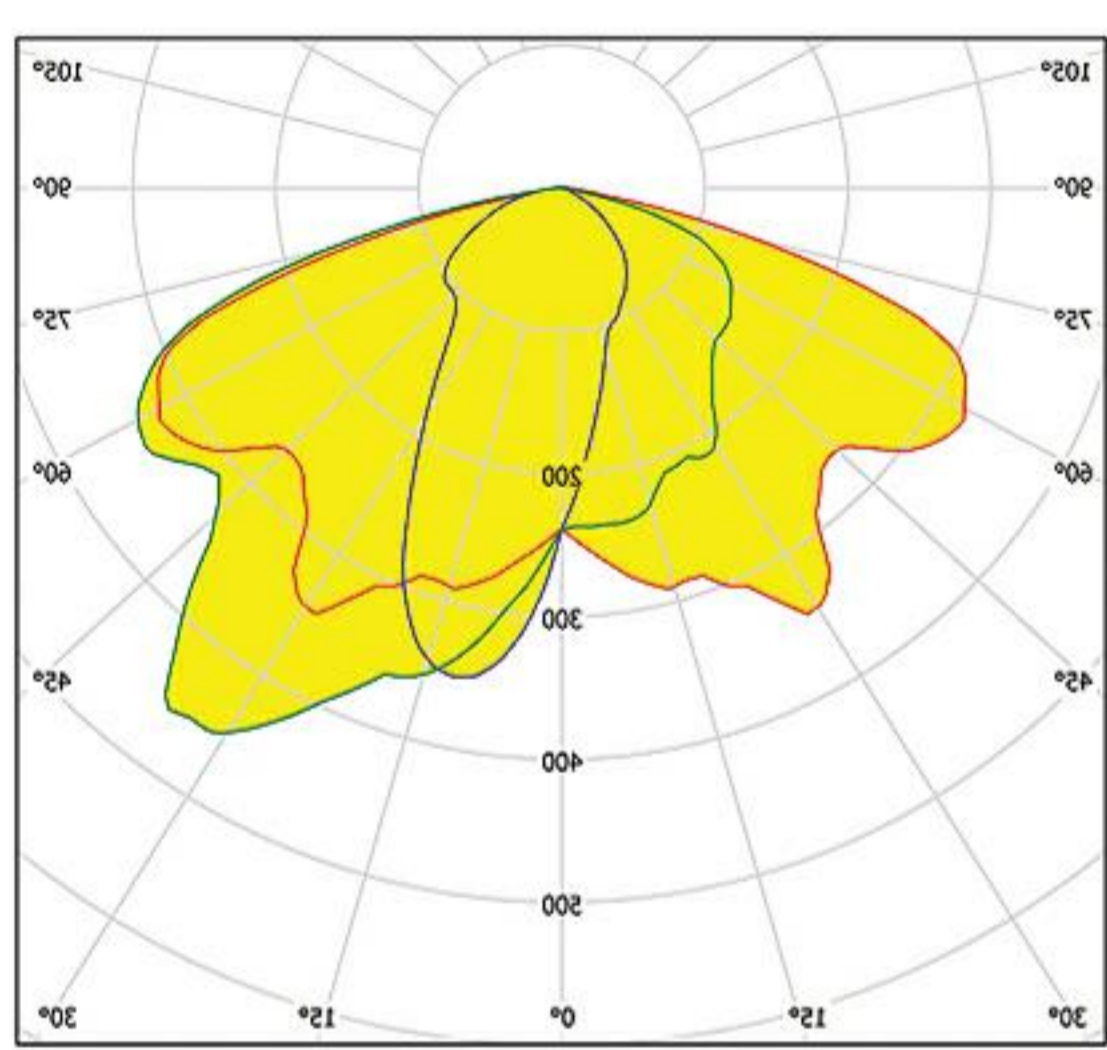


### Installation and Operation

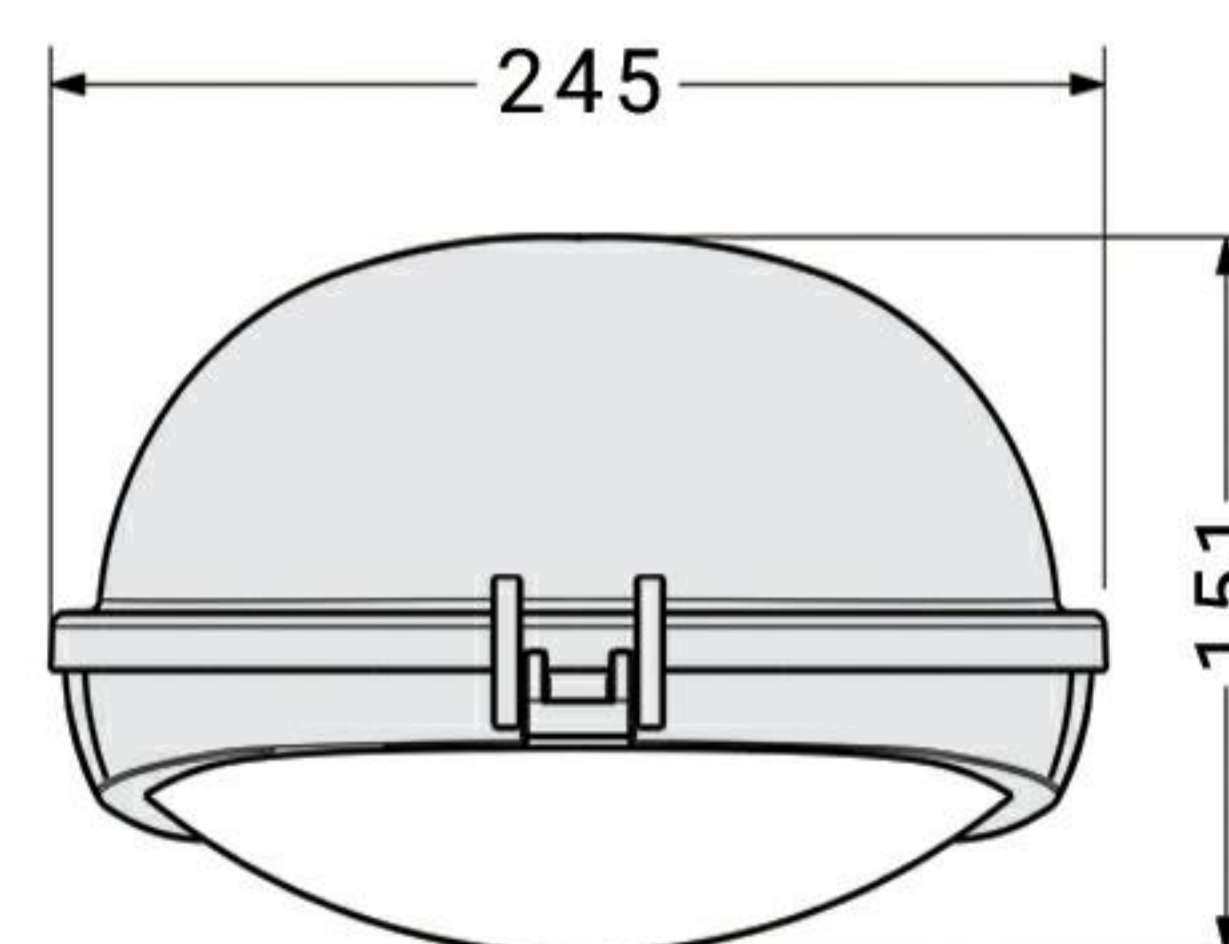
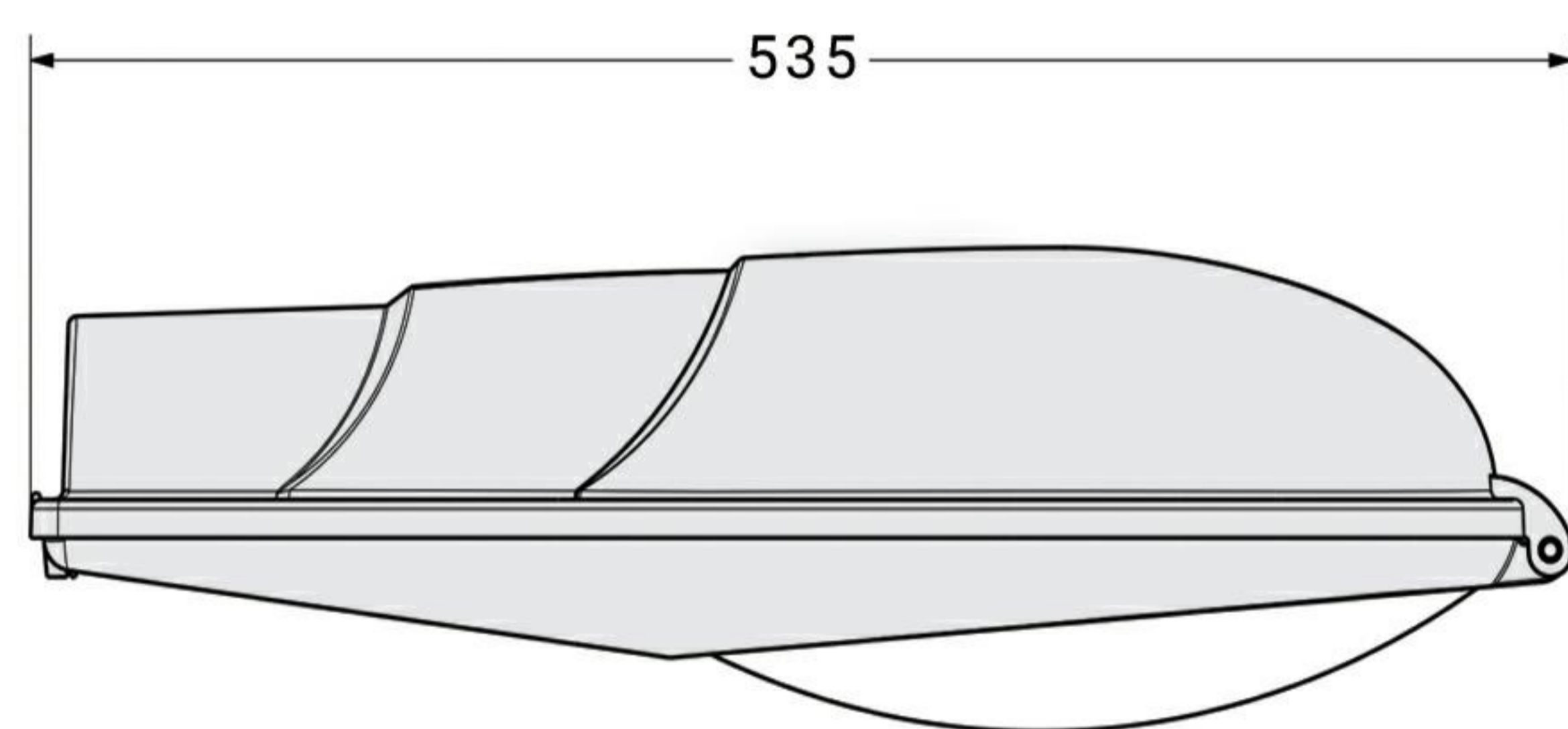
- Ability to exchange and fix the electrical pieces and lamp as kit
- Ability to lamp replacement in reflector to achieve the different light distribution

Guide

### Light Distribution Curve



35-50-70 W HPS



### Lamp Type

High Pressure Sodium (HPS)-Metal Halide

35 W	50 W	70 W	100 W	150 W	250 W	400 W

Not technically or economically recommended

Usable

Useless

Light bulb

Tubular lamp



Ghamar T01  
Visit Online



## SPECIFICATION

Consumed power range (W)	35	50	70	Pipe catcher diameter (mm)	Ø 33 - Ø 42 (By changing the pipe screw)
Real power (W)	42	63	89	Environment temperature (C°)	35
luminous flux (Lm)	1015	2830	5325	Dimensions (mm)	535 x 245 x 151
Frequency (Hz)	50	50	50	Optical IP protection	65
Input voltage (V)	230	230	230	Electrical IP protection	43
Input current (A)	0.282	0.336	0.427	Wind- resistant surface	0.065
Maximum weight (kg)	4.2	4.3	4.4	Bubbles	Convex Securite
Installation height (m)	8 - 6			Protection against electrical shock class	Class I
Light source	HID Lamp			Reflector	Anodized aluminum
Body	Aluminum die-casting			Body covering	Electrostatic paint
Lamp holder	E27			Packing dimensions (mm)	540 x 250 x 170

## Street Lights



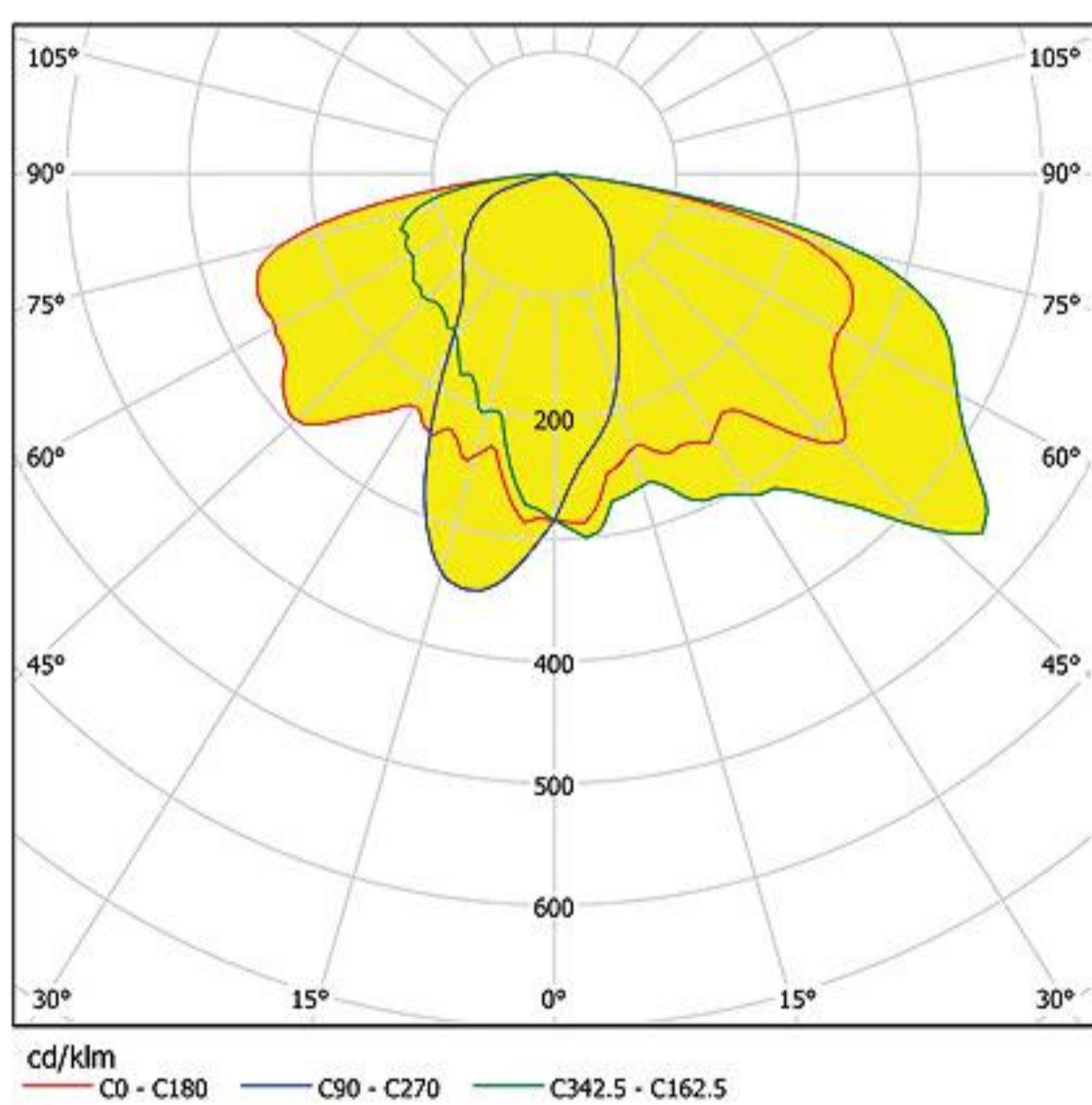
- Ability to install the 250 and 400 watt lamp
- Securite glass for less glare and more safety
- Ability to replace and repair parts as a kit
- Ability to lamp replacement in the reflector to achieve the different light distribution



### Installation and Operation

- Ability to replace and repair electrical parts as a kit
- Equipped with door holder jack
- Ability to lamp replacement in reflector to achieve the different light distribution

### Light Distribution Curve



250-400 W HPS

### Lamp Type

High Pressure Sodium (HPS)-Metal Halide

35 W	50 W	70 W	100 W	150 W	250 W	400 W

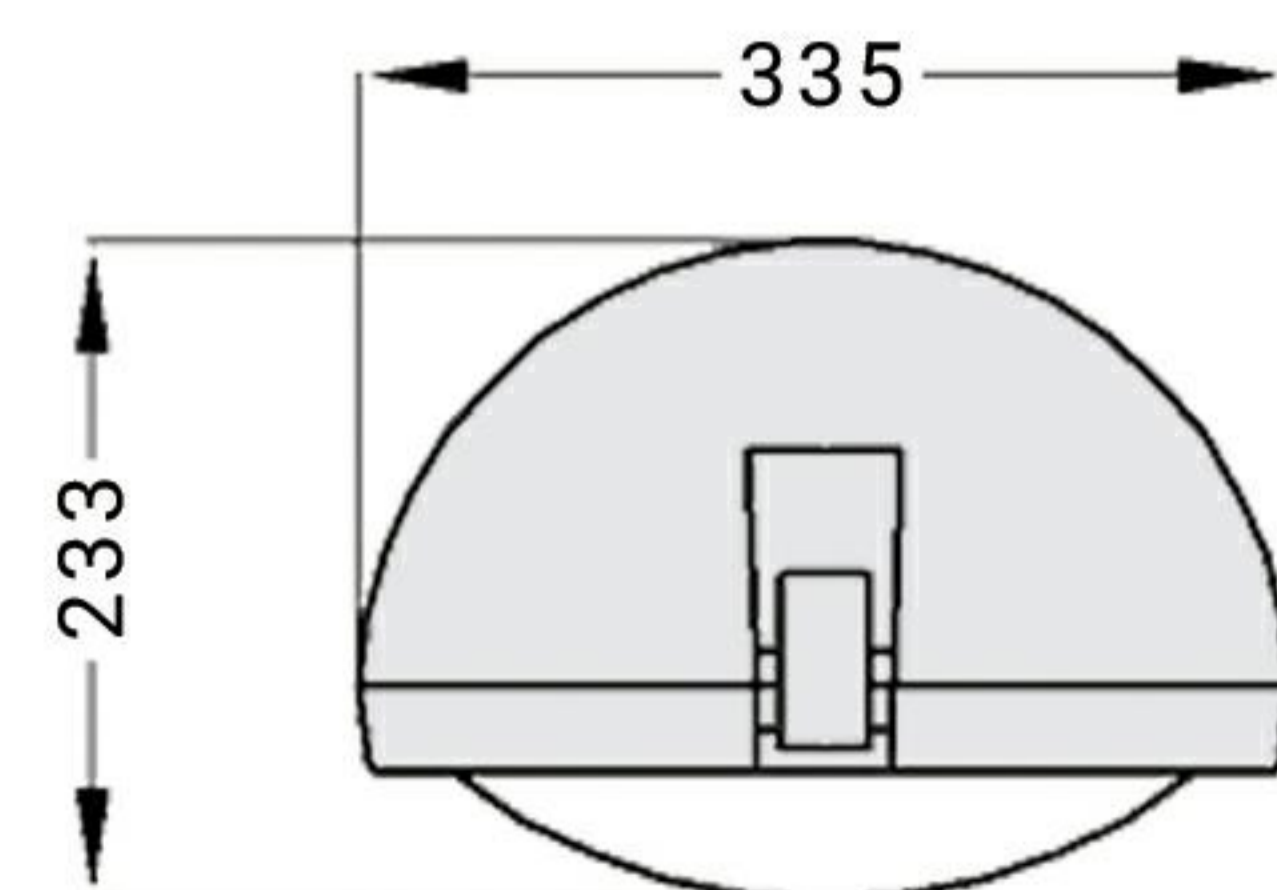
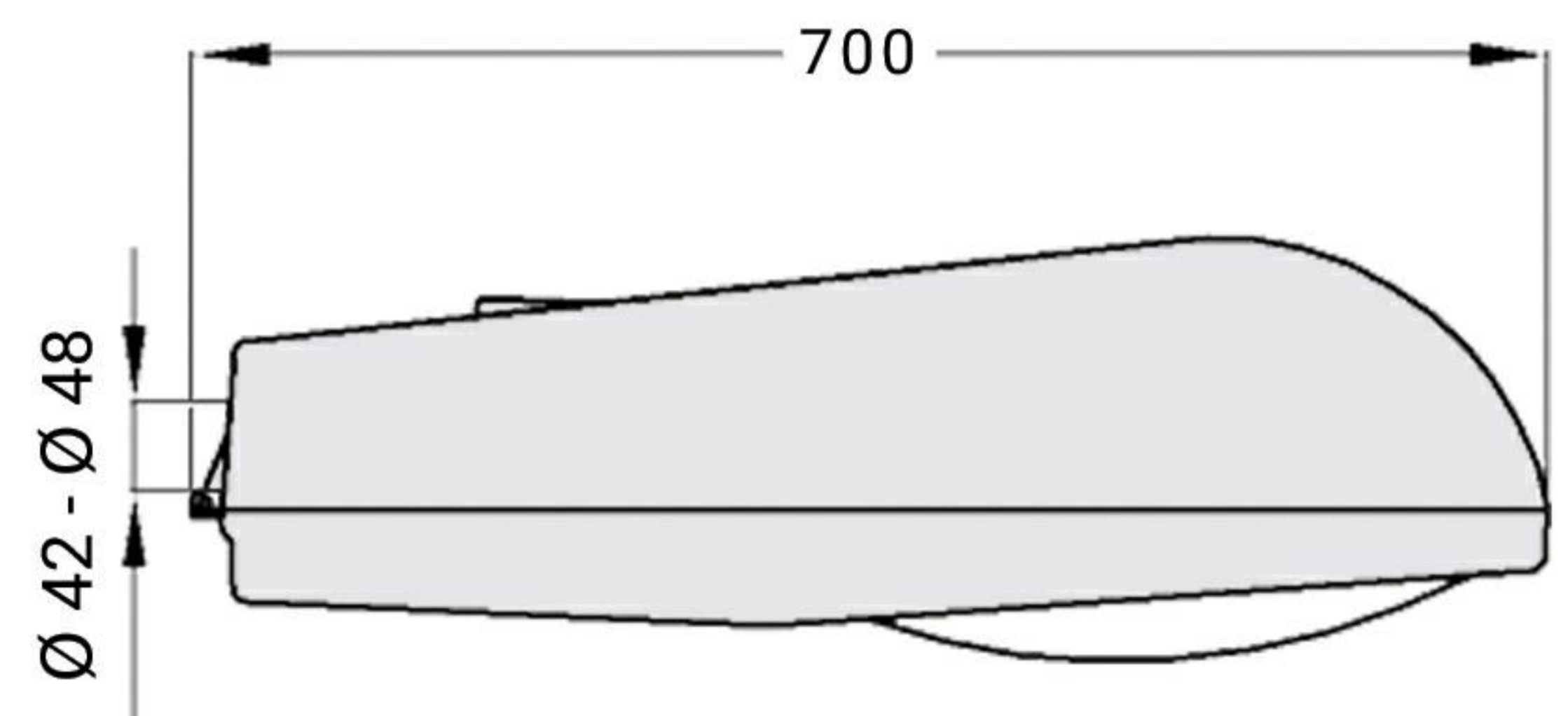
Not technically or economically recommended

Usable

Useless

Light bulb

Tubular lamp





Shams T02  
Visit Online



## SPECIFICATION

Consumed power range (W)	250	400	Pipe catcher diameter (mm)	Ø 42 - Ø 48
Real power (W)	306	451	Environment temperature (C°)	35
luminous flux (Lm)	24266	38608	Dimensions (mm)	700 x 335 x 233
Frequency (Hz)	50	50	Optical IP protection	65
Input voltage (V)	230	230	Electrical IP protection	43
Input current (A)	1.430	2.350	Wind- resistant surface	0.099
Maximum weight (kg)	10.6	11.5	Bubbles	Convex Securite
Installation height (m)	8 - 12	8 - 15	Protection against electrical shock class	Class I
Light source	HID Lamp		Reflector	Anodized aluminum
Body	Aluminum die-casting		Body covering	Electrostatic paint
Lamp holder	E40		Packing dimensions (mm)	720 x 340 x 250



## Street Lights



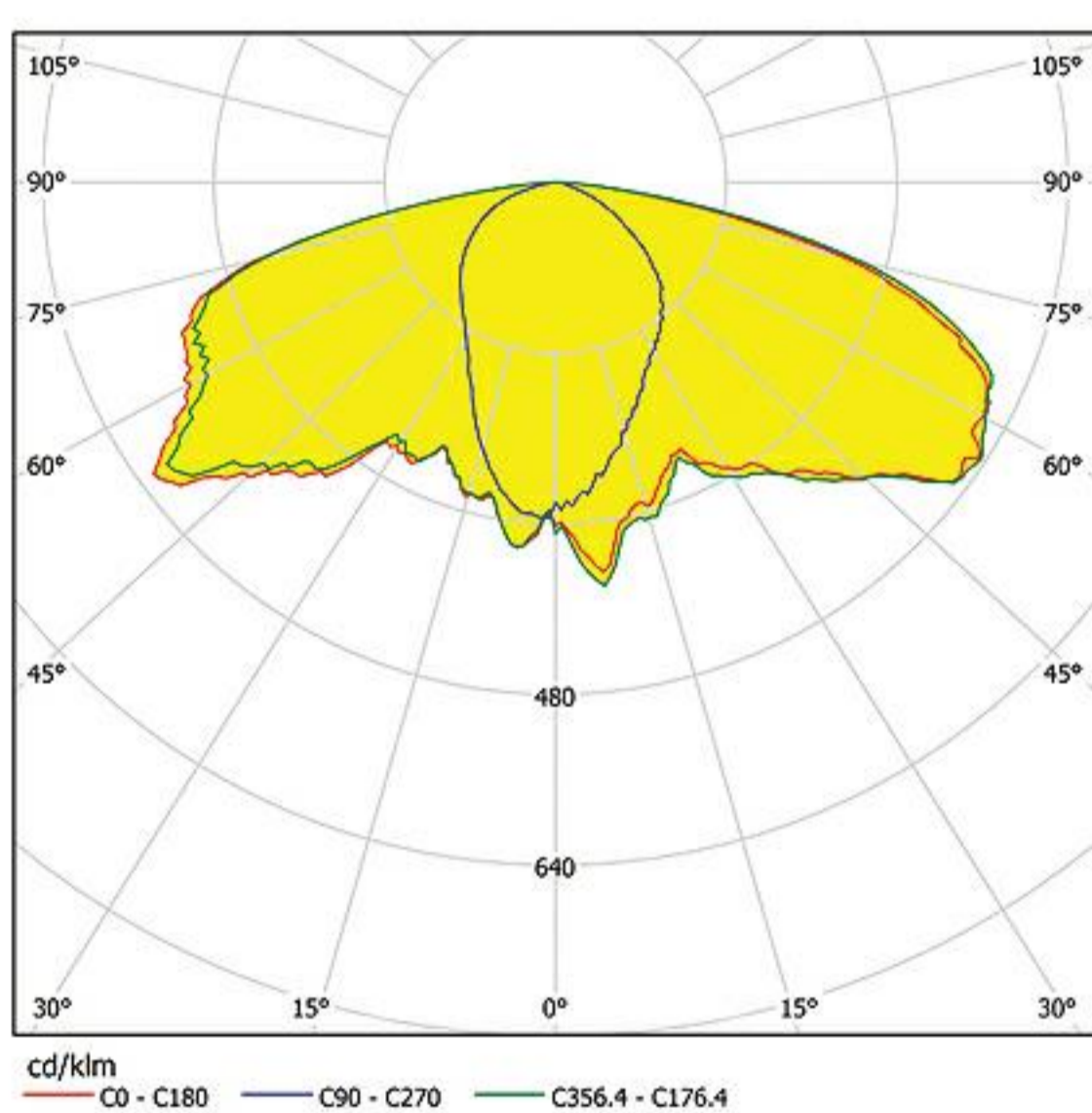
- Ability to install the 250 and 150 watt lamp
- Securite glass for less glare and more safety
- Ability to open the light door up to 180 degree
- Ability to install the fuse to complete disconnection



### Installation and Operation

- Ability to replace and repair electrical parts as a kit
- Ability to lamp replacement in reflector to achieve the different light distribution
- Equipped with door holder jack

## Light Distribution Curve



150 - 250W HPS

## Lamp Type

High Pressure Sodium (HPS)-Metal Halide

35 W	50 W	70 W	100 W	150 W	250 W	400 W

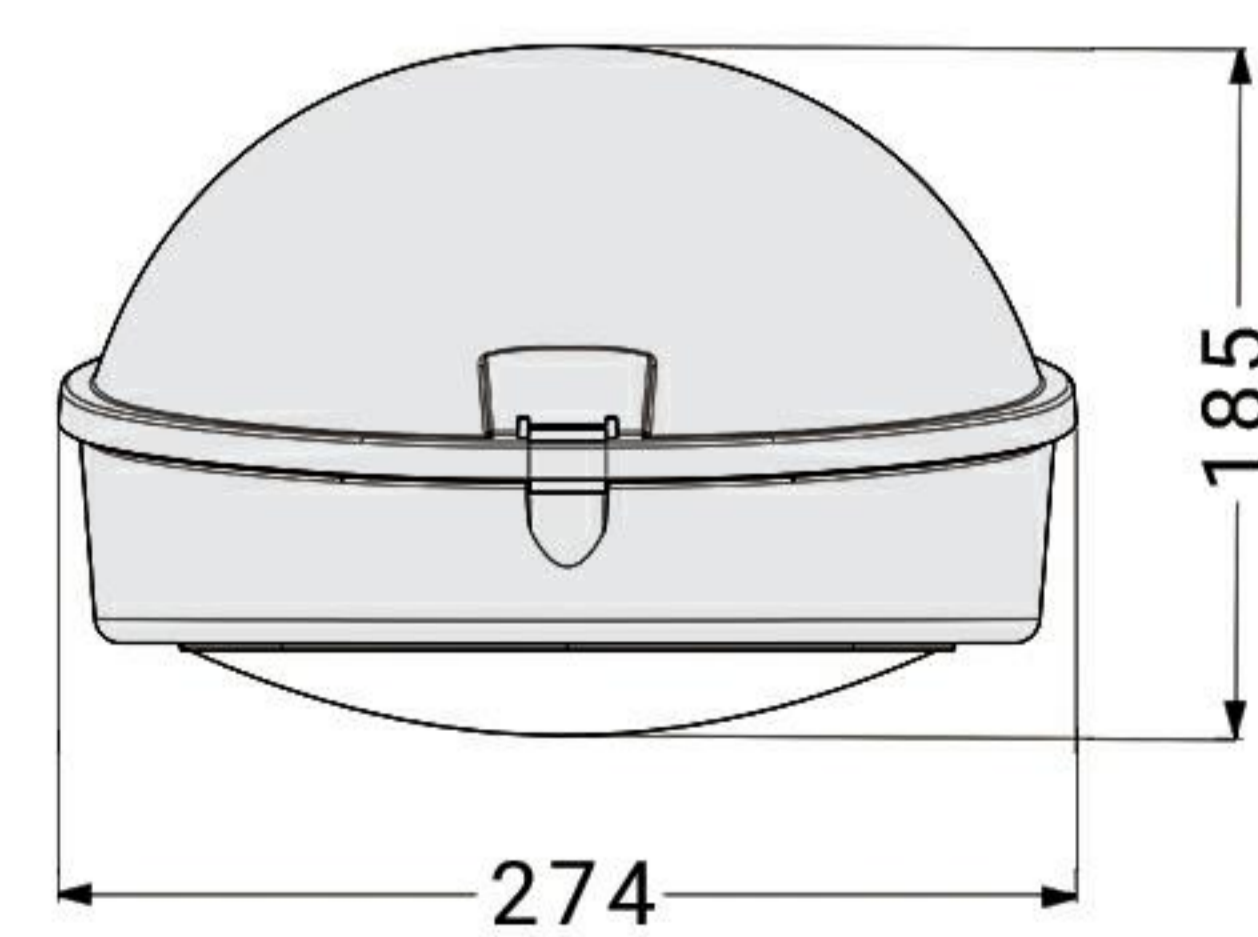
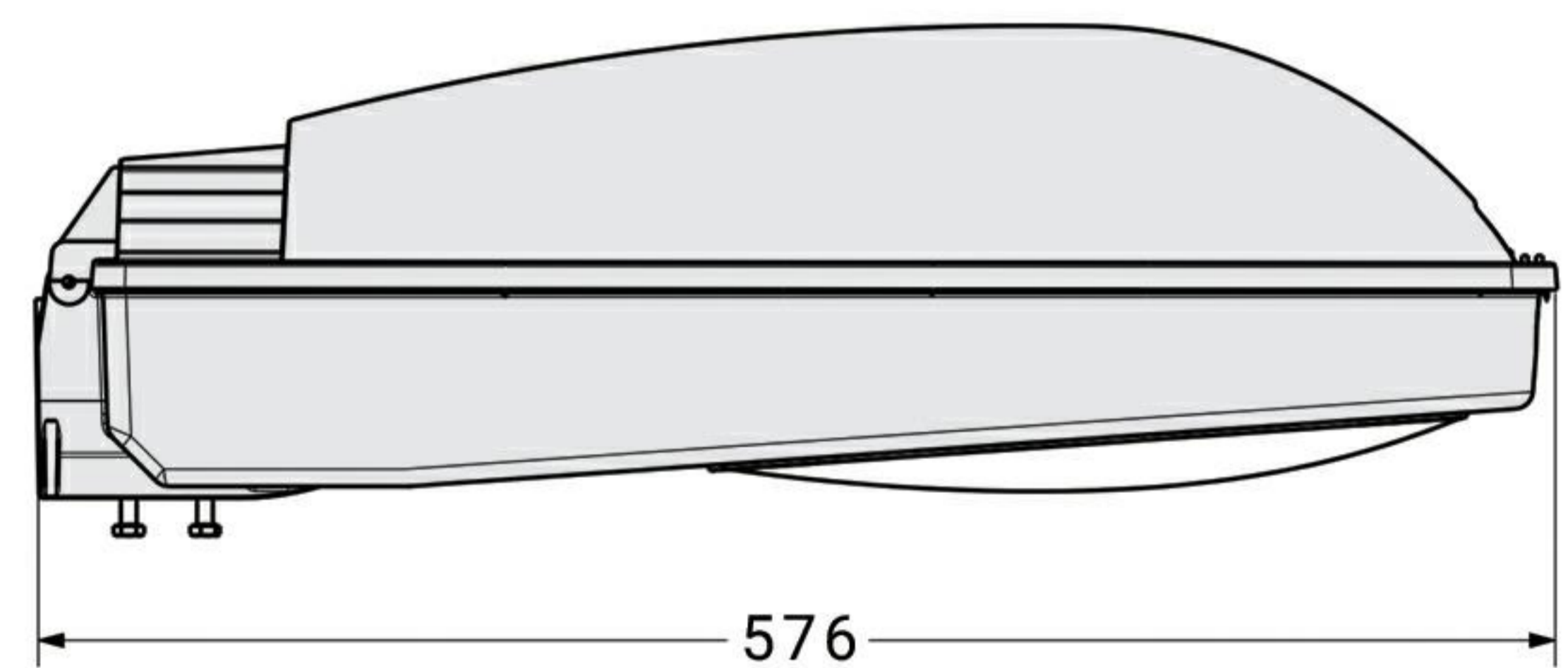
Not technically or economically recommended

Usable

Useless

Light bulb

Tubular lamp





Badr T03  
Visit Online



## SPECIFICATION

Consumed power range (W)	150	250	Pipe catcher diameter (mm)	Ø 42 - Ø 48
Real power (W)	173	306	Environment temperature (C°)	35
luminous flux (Lm)	12136	24266	Dimensions (mm)	576 x 274 x 185
Frequency (Hz)	50	50	Optical IP protection	65
Input voltage (V)	230	230	Electrical IP protection	54
Input current (A)	0.880	1.430	Wind- resistant surface	0.085
Maximum weight (kg)	7	7.9	Bubbles	Convex Securite
Installation height (m)	8 - 12		Protection against electrical shock class	Class I
Light source	HID Lamp		Reflector	Anodized aluminum
Body	Aluminum die-casting		Body covering	Electrostatic paint
Lamp holder	E40		Packing dimensions (mm)	640 x 285 x 230

# Venus S (T17-01 COB)



## LED Street Lights



- High optical efficiency
- Symmetric light distribution with high uniformity
- High sealing and electrostatic powder coating
- For use in different types of passages

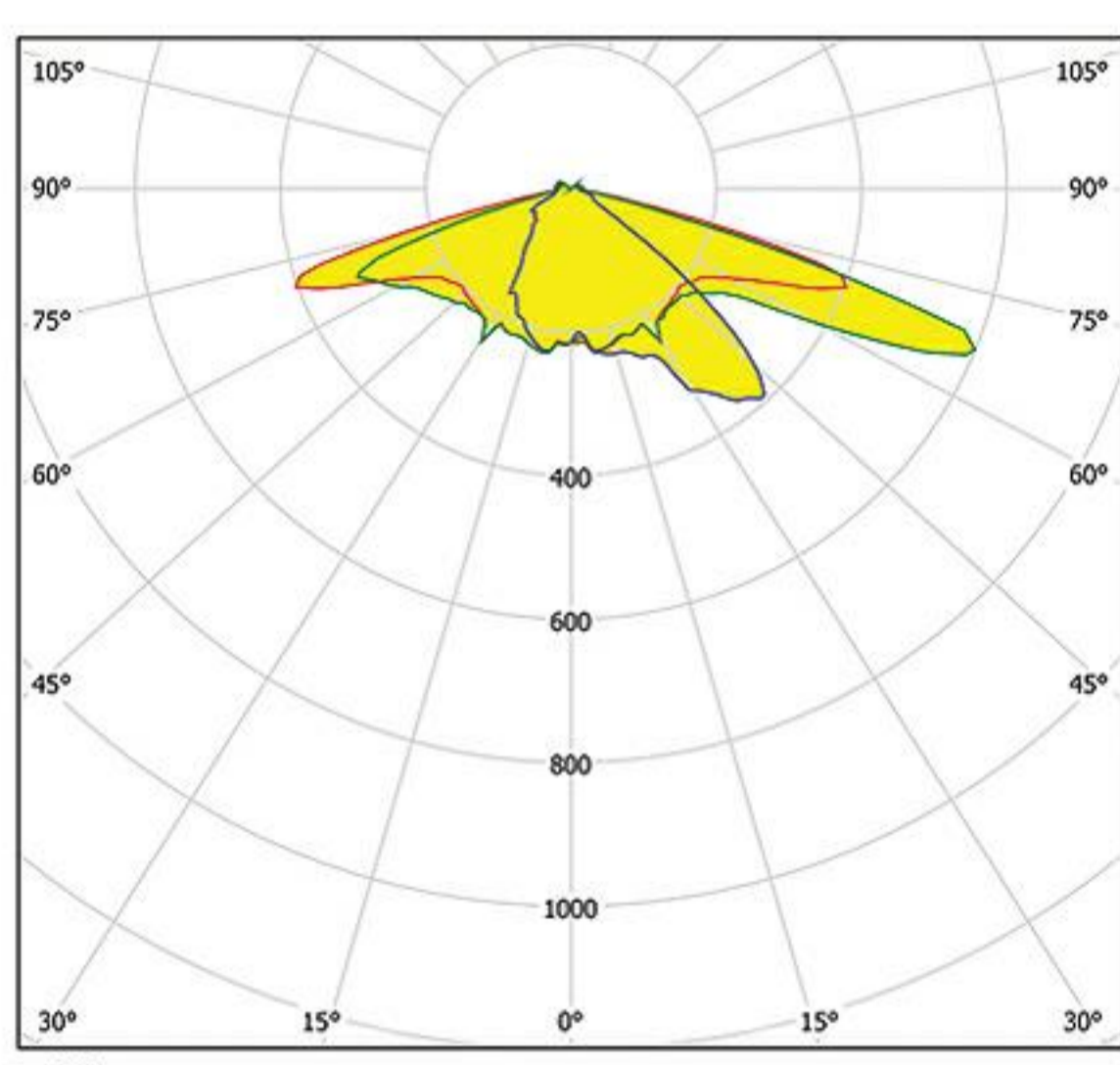


### Installation and Operation

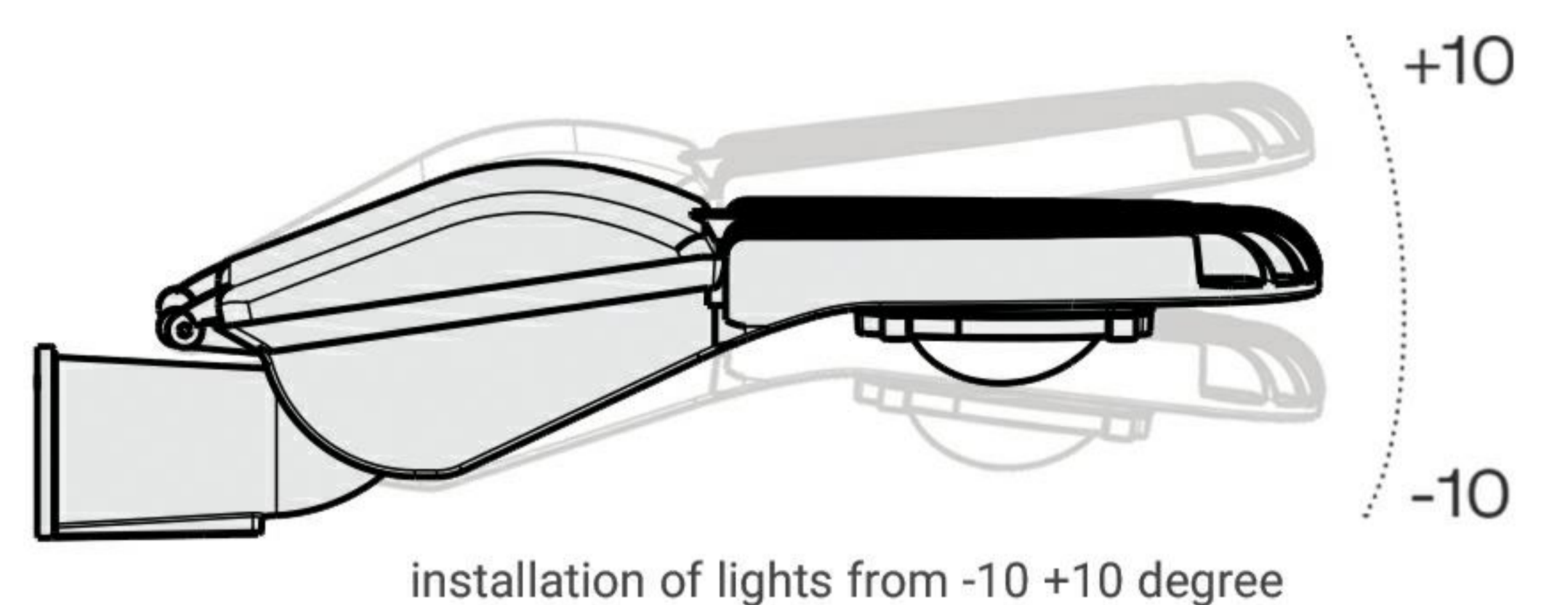
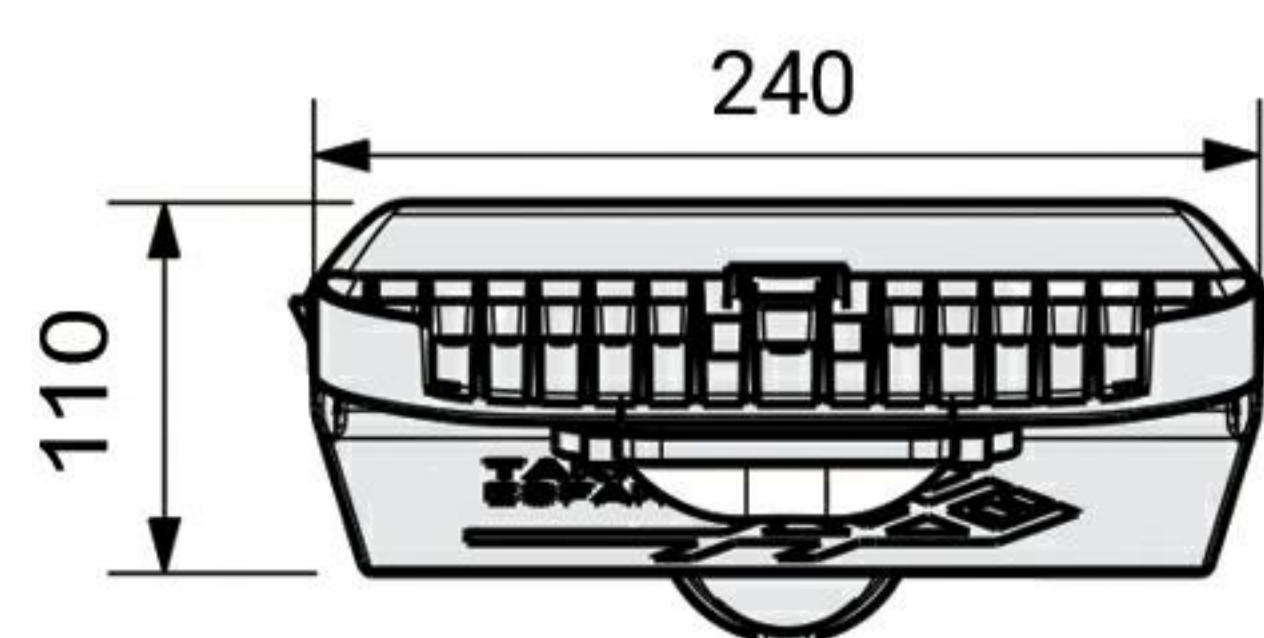
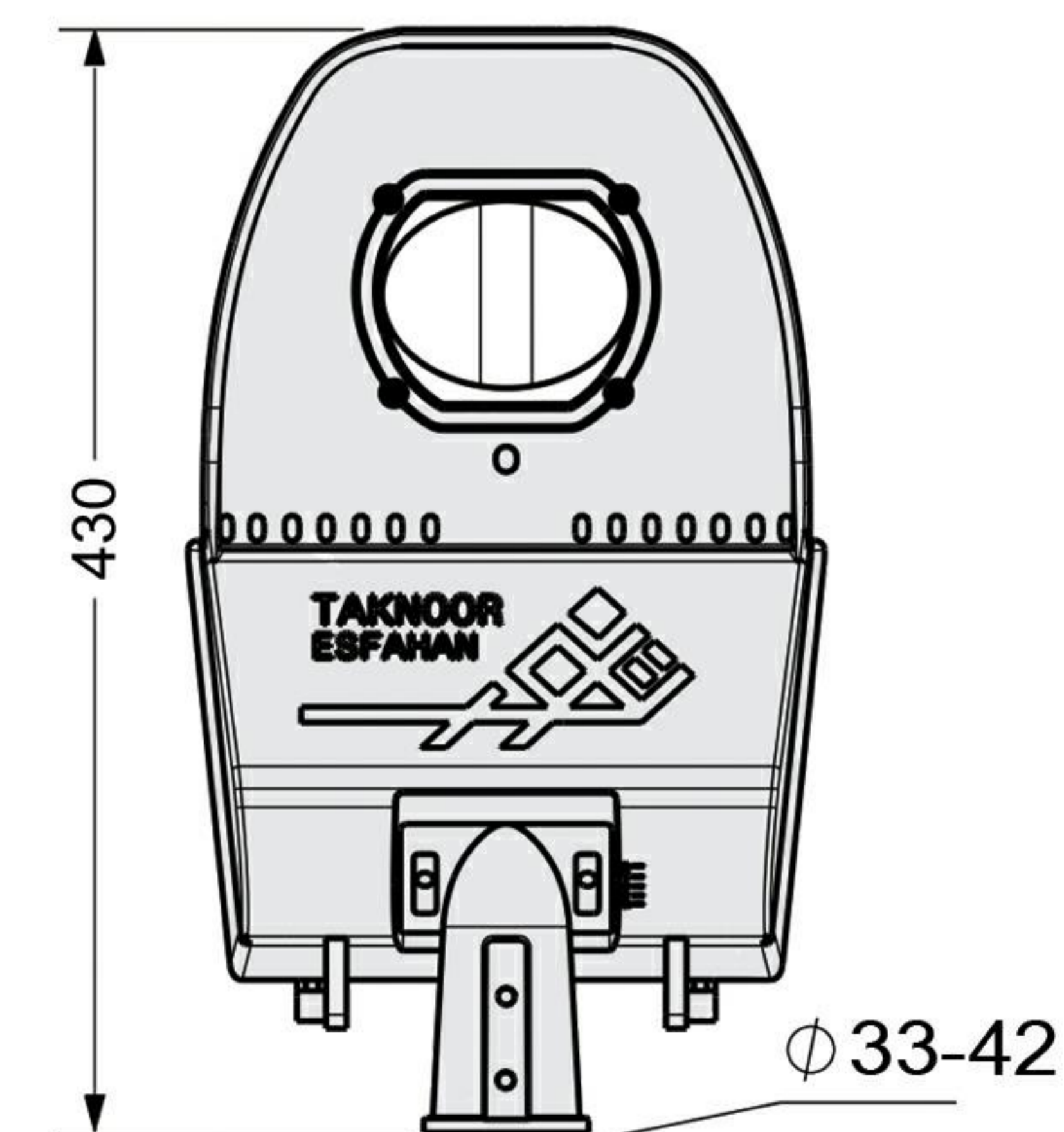
- Ability to replace and repair the electrical parts as a kit
- Calibrated piping with adjustable angle of installation of lights from -10+10 degree

Guide

### Light Distribution Curve



20-30- 50-60W





## SPECIFICATION

Nominal power (W)	20	30	50	60	Electric shock protection class (Vac=230)	Class I
Nominal input (Vac=230)	0.099	0.137	0.229	0.280	Color coordinate tolerance	5SDCM
Nominal voltage of the module (Vdc)	36	36	36	36	luminous flux conservation code	9
Light source	COB	COB	COB	COB	Metering code	850/559
Number of COBs used in the light	1	1	1	1	IP protection	66
Nominal power of single COB	40	40	70	70	Body Material	Aluminum die-casting
luminous flux (Lm)	2269	3095	5500	7000	The material of the outermost translucent wall	Glass lens
luminous efficiency (Lm/W)	114	104	110	117	Body cover	Electrostatic paint
Nominal input voltage and frequency (Vac/Hz)	230/50				Pipe diameter (mm)	Ø 33-42
Input voltage and frequency range (Vac/Hz)	90~260 / 50~60				Weight (kg)	3.7
Power factor	PF ≥ 95%				Dimensions of light (mm)	430 x 240 x 110
Harmonic waves	THD ≤ 15%				Category dimensions (mm)	455 x 255 x 155
Module type	Non-integrated				Nominal ambient temperature associated with lamp operation (C°)	25
Color indicator	80				Function temperature range (C°)	-20 ~ +50
* Color temperature values 3000, 4000, 5000, 6500 can be provided by customer order					Permitted moisture maximum (%)	95
					Nominal life length (hour)	50000

# Venus S (T17-02)



## LED Street Lights



- High optical efficiency
- Symmetric light distribution with high uniformity
- High sealing and electrostatic powder coating
- For use in different types of passages

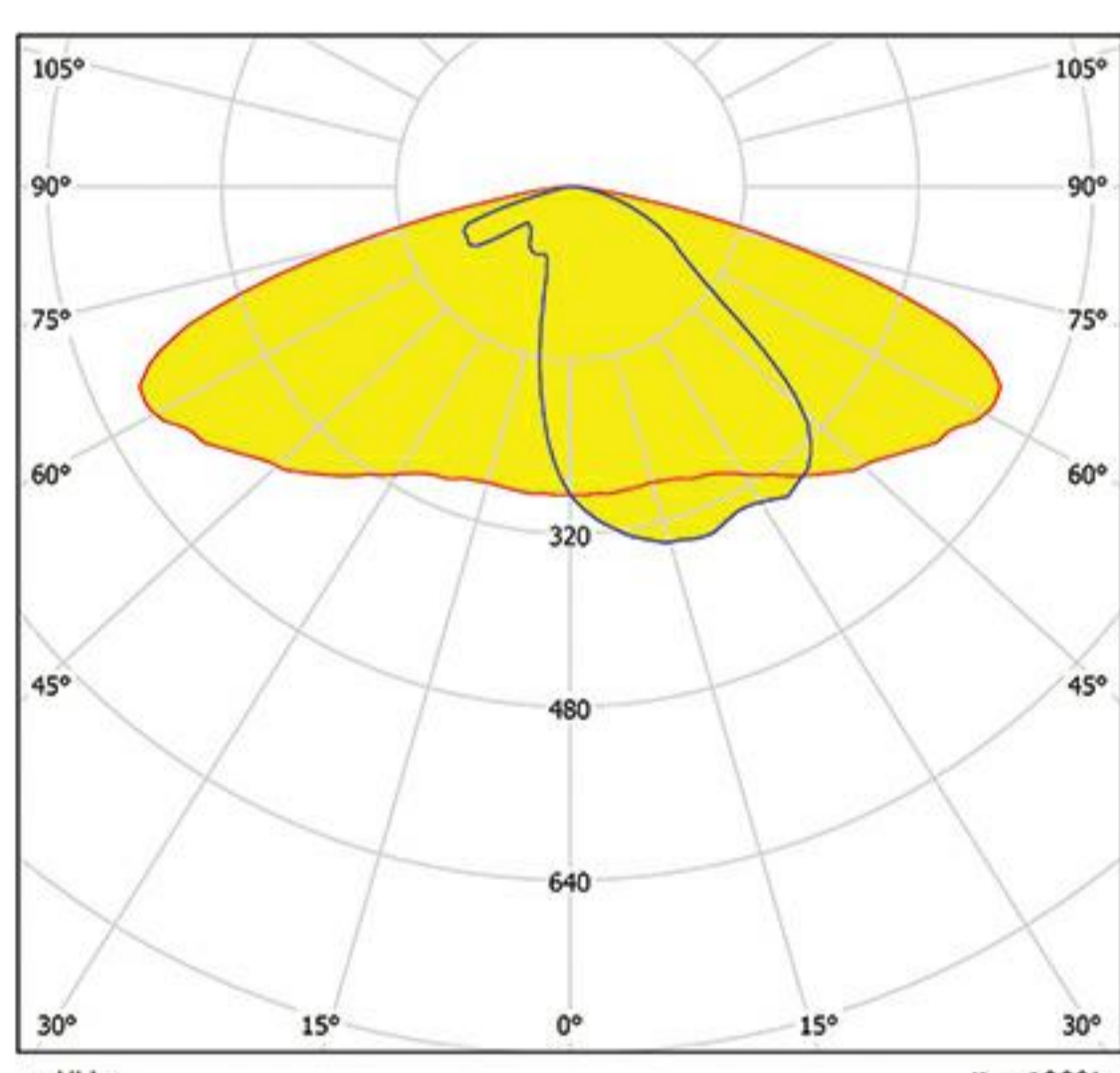


### Installation and Operation

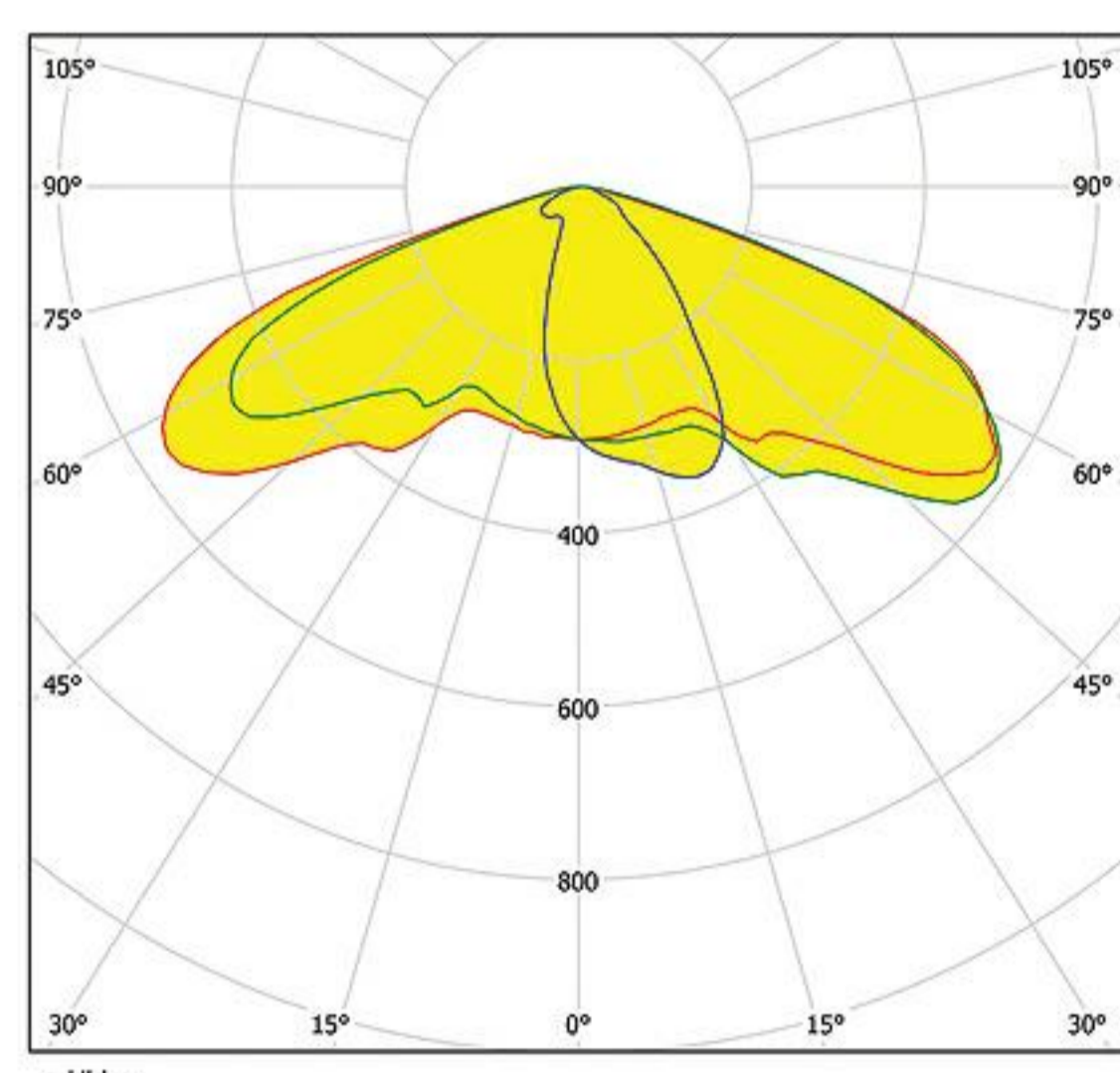
- Ability to replace and repair the electrical parts as a kit
- Calibrated piping with adjustable angle of installation of lights from -10+10 degree

Guide

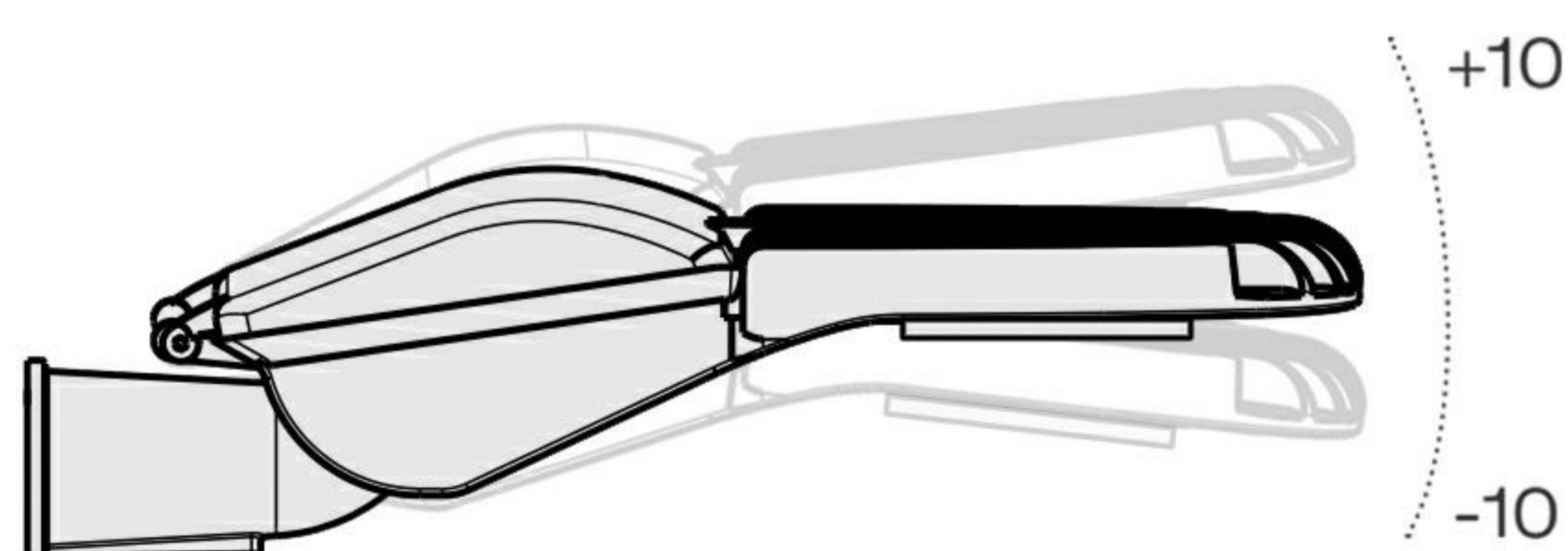
### Light Distribution Curve



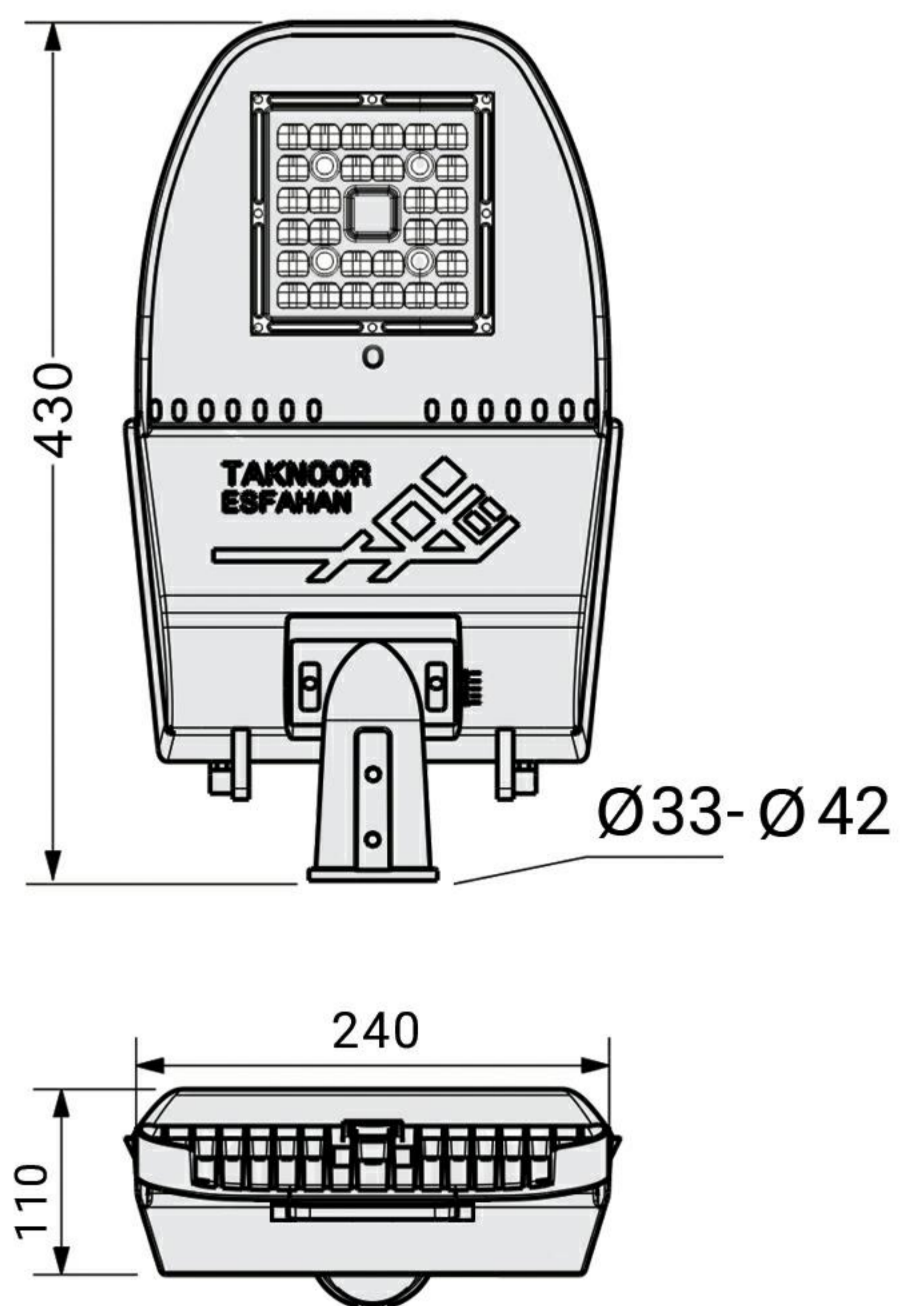
20-30-40W



50-60W



installation of lights from -10+10 degree



# IP66

Venus SMD LED T17-02  
Visit Online



## SPECIFICATION

Nominal power (W)	20	30	40	50	60	Electric shock protection class (Vac=230)	Class I
Nominal input (Vac=230)	0.103	0.136	0.180	0.226	0.295	Color coordinate tolerance	2SDCM
Nominal voltage of the module (Vdc)	40	40	40	80	80	luminous flux conservation code	9
Light source	SMD	SMD	SMD	SMD	SMD	Metering code	750/229
Number of LEDs used in the light	28	28	28	12	12	IP protection	66
Nominal power of single LED	5	5	5	5	5	Body Material	Aluminum die-casting
luminous flux (Lm)	2984	4100	5500	6222	7466	The material of the outermost translucent wall	Polycarbonate antiUV
luminous efficiency (Lm/W)	135	137	138	123	124	Body cover	Electrostatic paint
Nominal input voltage and frequency (Vac/Hz)	230/50					Pipe diameter (mm)	Ø 33- Ø42
Input voltage and frequency range (Vac/Hz)	90~260 / 50~60					Weight (kg)	4.1
Power factor	PF ≥ 95%					Dimensions of light (mm)	430 x 240 x 110
Harmonic waves	THD ≤ 15%					Category dimensions (mm)	455 x 255 x 155
Module type	Non-integrated					Nominal ambient temperature associated with lamp operation (C°)	25
Color indicator	72					Function temperature range (C°)	-20 ~ +50
* Color temperature values 3000, 4000, 5000, 6500 can be provided by customer order						Permitted moisture maximum	95
						Nominal life length (hour)	50000

# Venus S (T17-02)



## LED Street Lights



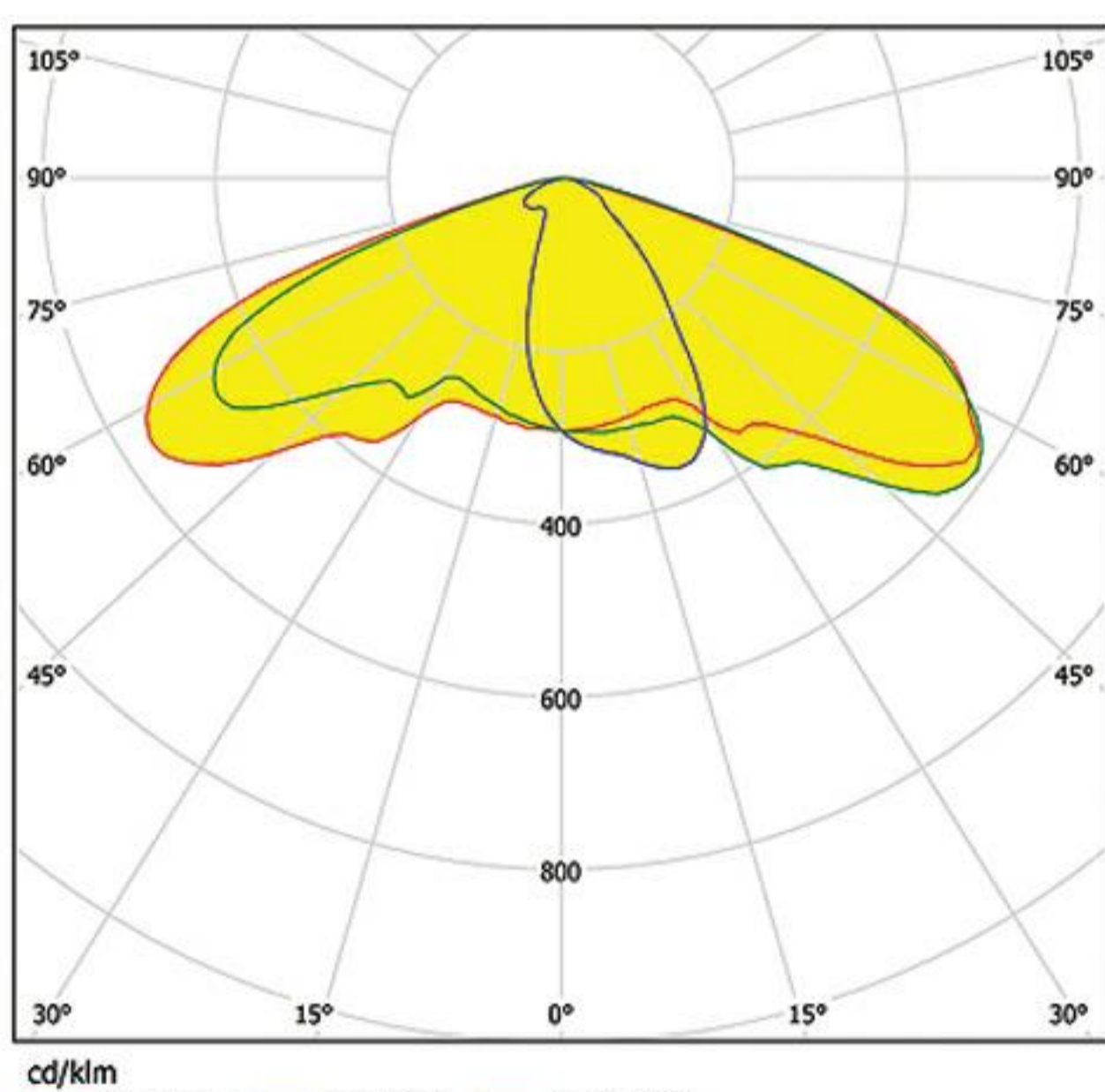
- High optical efficiency
- Symmetric light distribution with high uniformity
- High sealing and electrostatic powder coating
- For use in different types of passages

**Installation and Operation**

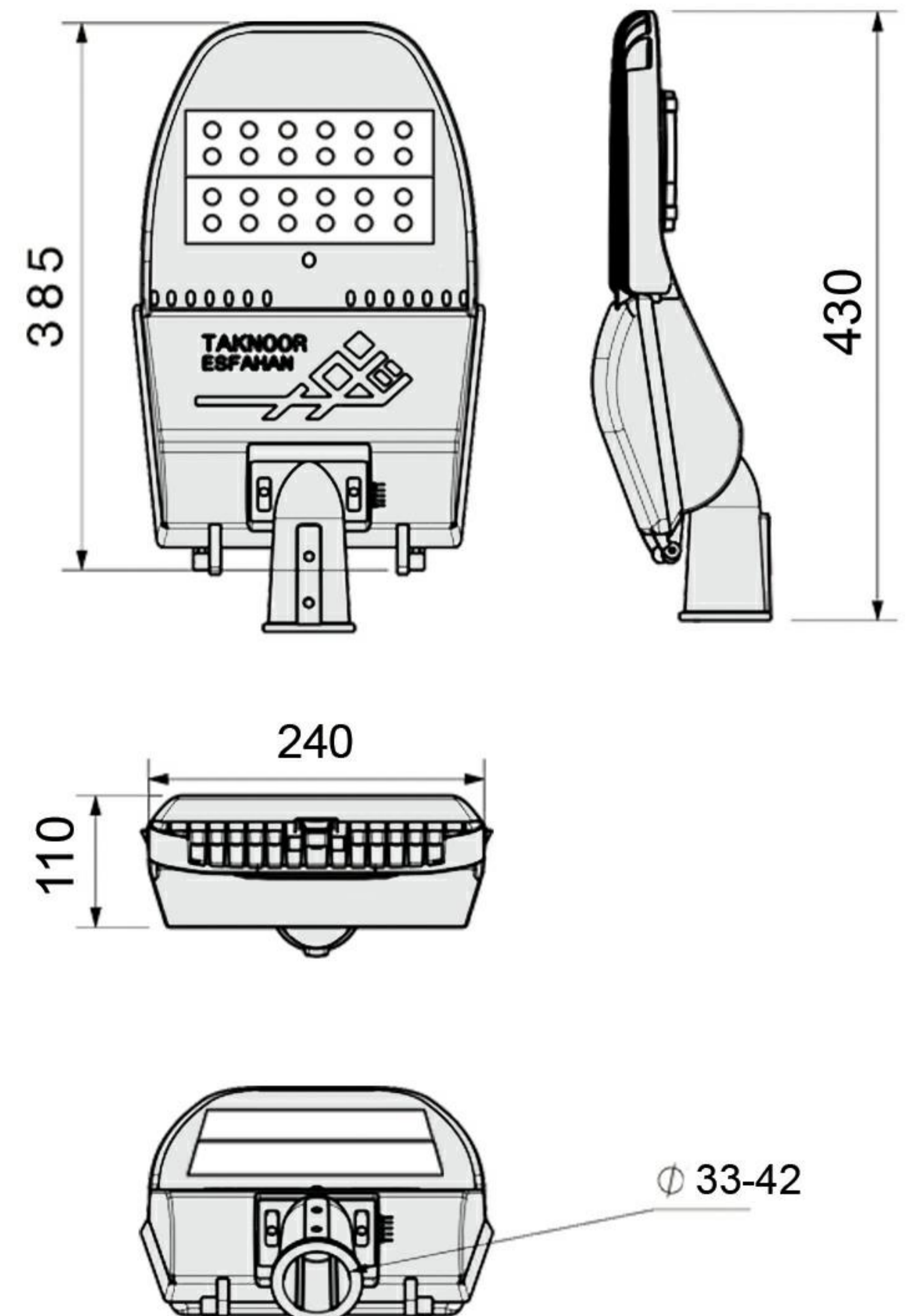
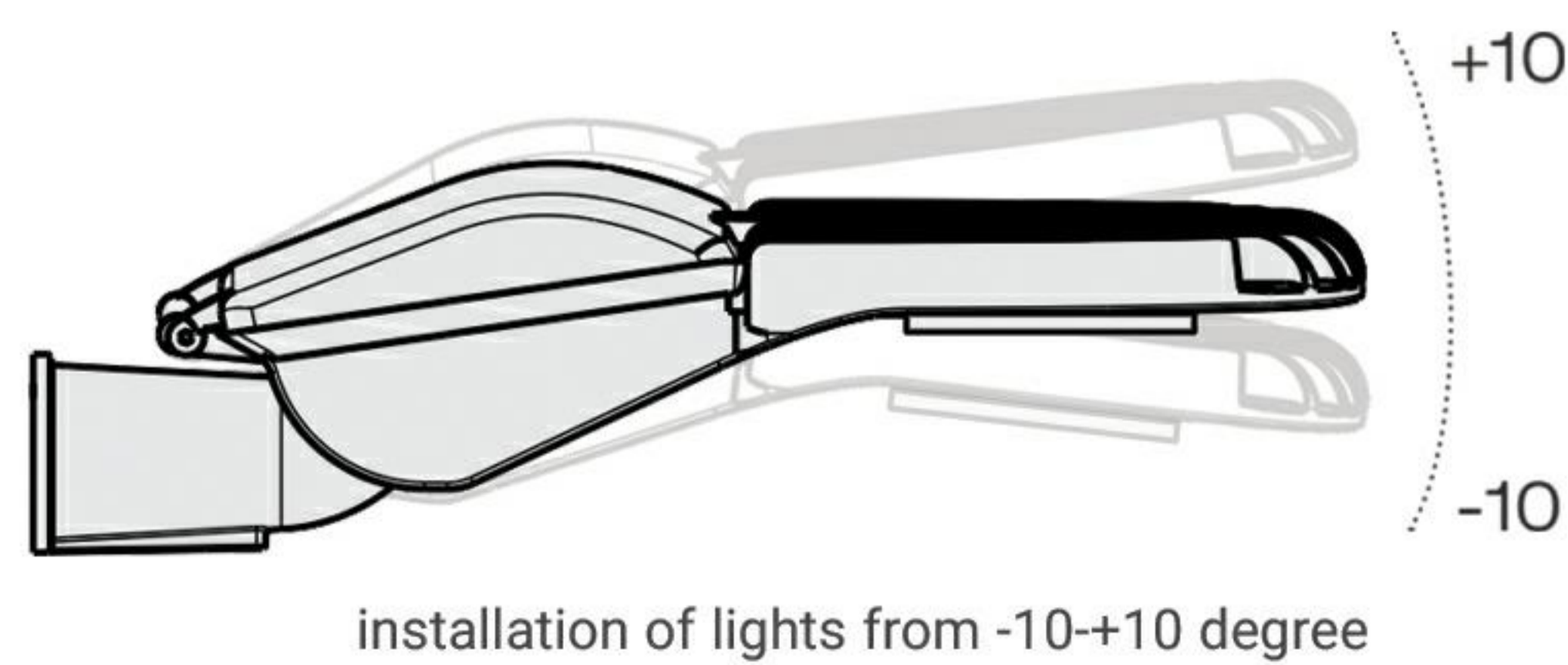
- Ability to replace and repair the electrical parts as a kit
- Calibrated piping with adjustable angle of installation of lights from -10-+10 degree

Guide

### Light Distribution Curve



70-80-90-100W



# IP66

Venus SMD LED T17-02  
Visit Online



## SPECIFICATION

Nominal power (W)	70	80	90	100	Electric shock protection class (Vac=230)	Class I
Nominal input (Vac=230)	0.306	0.347	0.379	0.414	Color coordinate tolerance	2SDCM
Nominal voltage of the module (Vdc)	48	48	48	48	luminous flux conservation code	9
Light source	SMD	SMD	SMD	SMD	Metering code	750/229
Number of LEDs used in the light	12 x 2	12 x 2	12 x 2	12 x 2	IP protection	66
Nominal power of single LED	5	5	5	5	Body Material	Aluminum die-casting
luminous flux (Lm)	9533	10273	10870	12077	The material of the outermost translucent wall	Polycarbonate antiUV
luminous efficiency (Lm/W)	138	131	120	120	Body cover	Electrostatic paint
Nominal input voltage and frequency (Vac/Hz)	230/50				Pipe diameter (mm)	Ø 33- Ø 42
Input voltage and frequency range (Vac/Hz)	90~260 / 50~60				Weight (kg)	4.1
Power factor	PF ≥ 95%				Dimensions of light (mm)	430 x 240 x 110
Harmonic waves	THD ≤ 15%				Category dimensions (mm)	455 x 255 x 155
Module type	Non-integrated				Nominal ambient temperature associated with lamp operation (°C)	25 (°C)
Color indicator	80				Function temperature range (°C)	-20 ~ +50
* Color temperature values 3000, 4000, 5000, 6500 can be provided by customer order					Permitted moisture maximum (%)	95
					Nominal life length (hour)	50000



## LED Street Lights



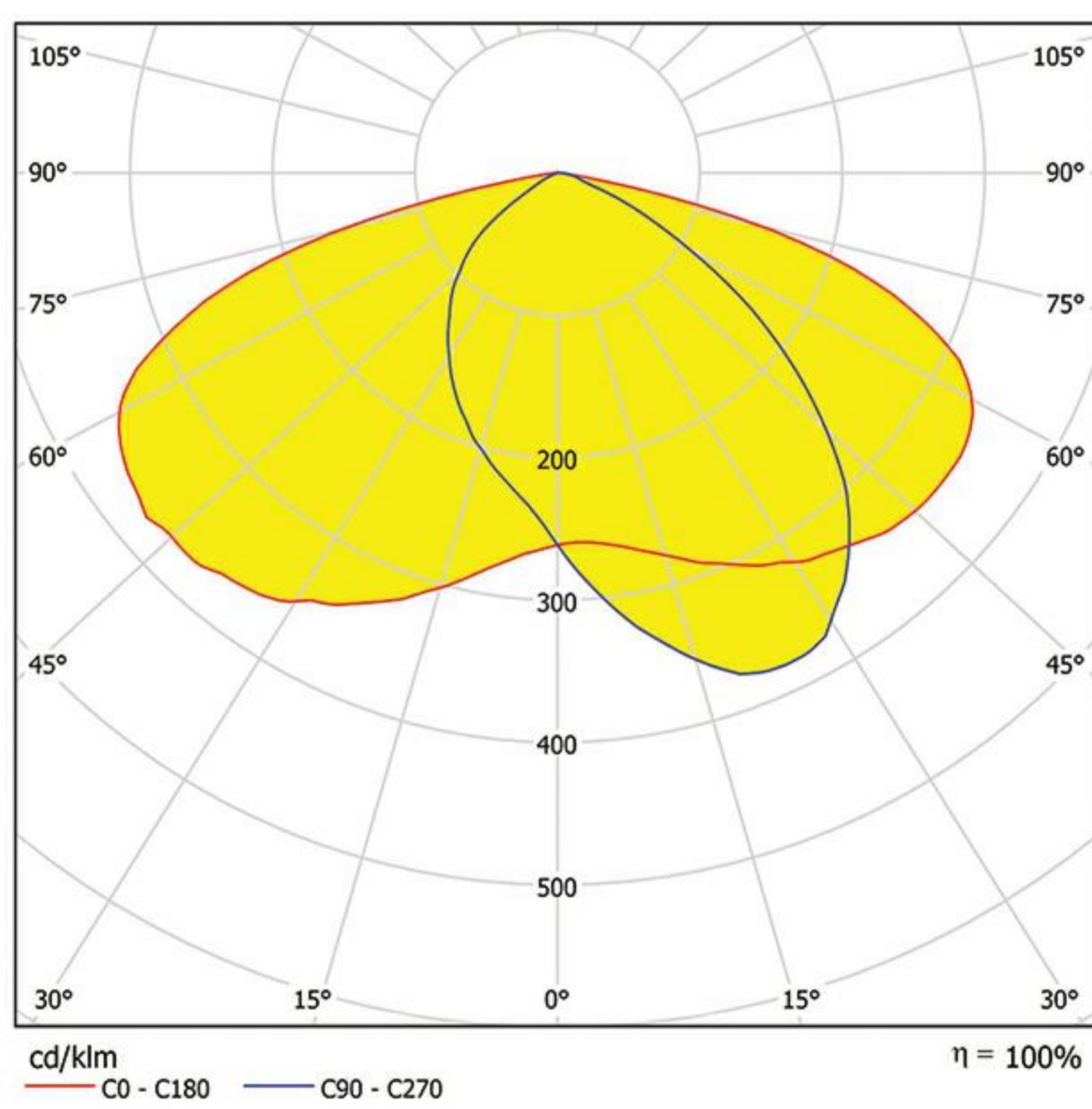
- In powers 120-150-180-200 watt
- High optical efficiency
- Symmetric light distribution with high uniformity
- High sealing and electrostatic powder coating
- For use in different types of passages

### Installation and Operation

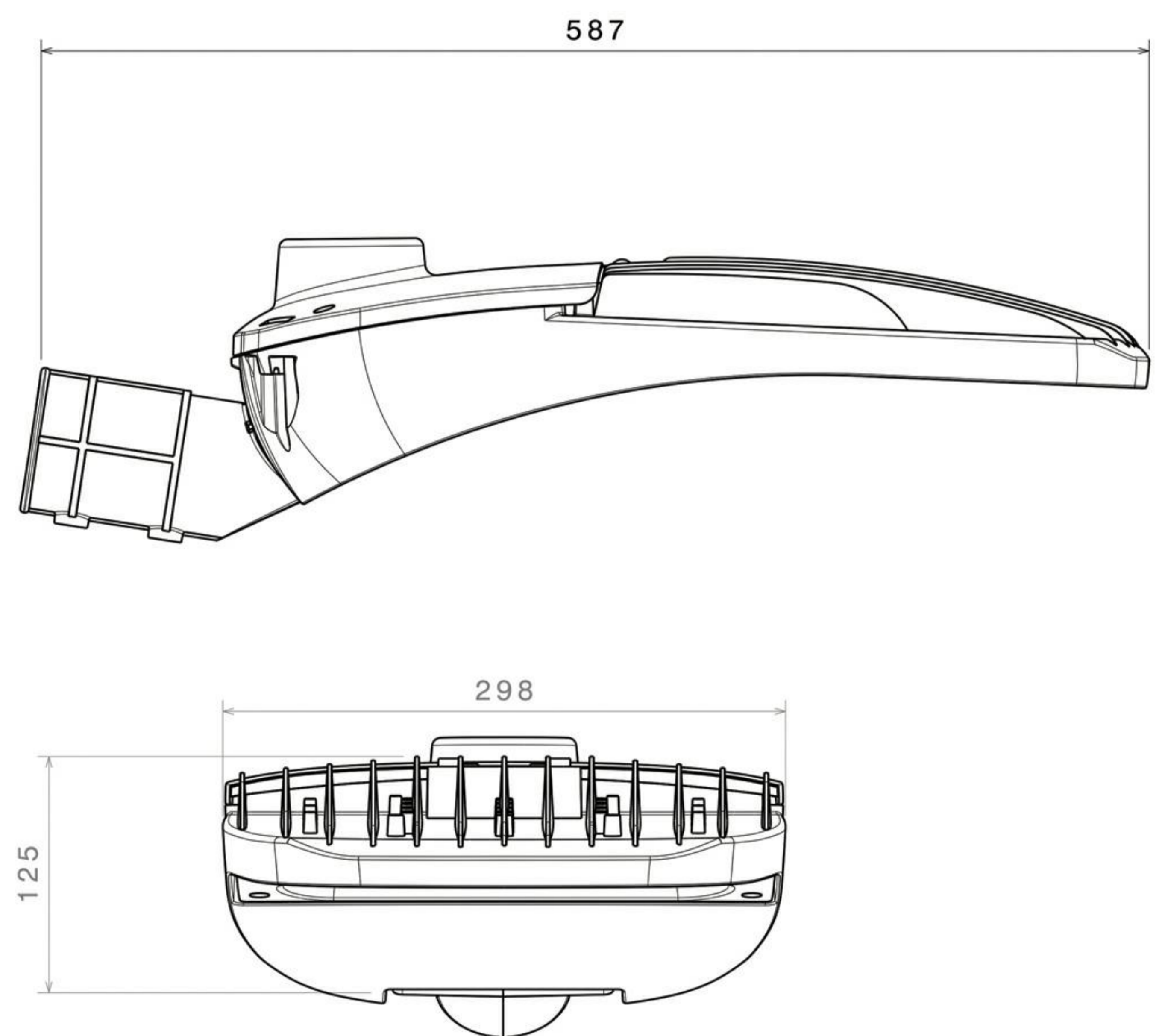
- Ability to replace and repair the electrical parts as a kit
- Calibrated piping with adjustable angle of installation of lights from -10-+10 degree

Guide

### Light Distribution Curve



120-150-180-200W





# IP66

Venus2 SMD LED T17-03  
Visit Online



## SPECIFICATION

Nominal power (W)	120	150	180	200	Electric shock protection class (Vac=230)	Class I
Nominal input (Vac=230)	0.395	0.663	0.395	0.395	Color coordinate tolerance	2SDCM
Nominal voltage of the module (Vdc)	48	48	48	48	Metering code	750/229
Light source	SMD	SMD	SMD	SMD	IP protection	66
Number of COBs used in the light	192	192	288	288	Body Material	Aluminum die-casting
Nominal power of single COB	1.5	1.5	1.5	1.5	Body cover	Electrostatic paint
luminous flux (Lm)	17200	21231	24500	26800	Pipe diameter (mm)	Ø 48 - 60
luminous efficiency (Lm/W)	143	141	136	134	Weight (kg)	6.7
Nominal input voltage and frequency (Vac/Hz)	230/50				Nominal ambient temperature associated with lamp operation (C°)	25 (C°)
Input voltage and frequency range (Vac/Hz)	90~260 / 50~60				Function temperature range (C°)	-20 ~ +50
Power factor	PF ≥ 95%				Permitted moisture maximum (%)	95
Harmonic waves	THD ≤ 15%				Nominal life length (hour)	50000
Module type	With separate ballast				Dimensions of light (mm)	587 x 298 x 125
Color indicator	72				Category dimensions (mm)	603 x 303 x 160
luminous flux conservation code	9					

\* Color temperature values 3000, 4000, 5000, 6500 can be provided by customer order



## Park & Grass Lights

# Outdoor lighting

# Park lights



## Park Lights



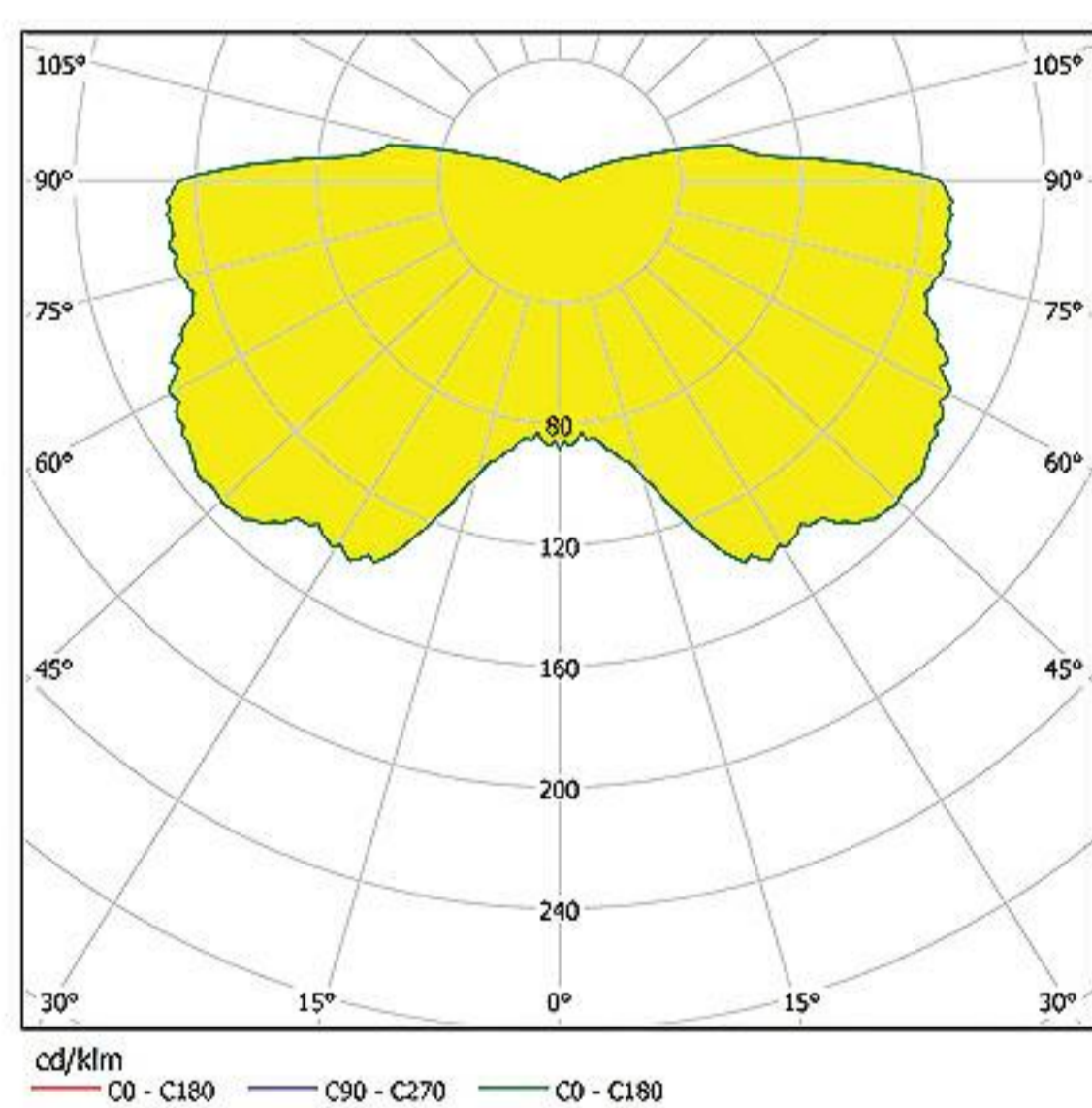
- For use in parks, beaches and grounds
- Proper light efficiency
- Replace the lamp from above for ease of installation and operation
- High sealing and electrostatic powder coating
- Eco-friendly

### Installation and Operation

- Easy access to Light Electrical Parts
- Lamp replace from above to facility in installation and using light without any need to tool

Guide

### Light Distribution Curve



50W CFL

### Lamp Type

Energy Saving Lamp (CFL)

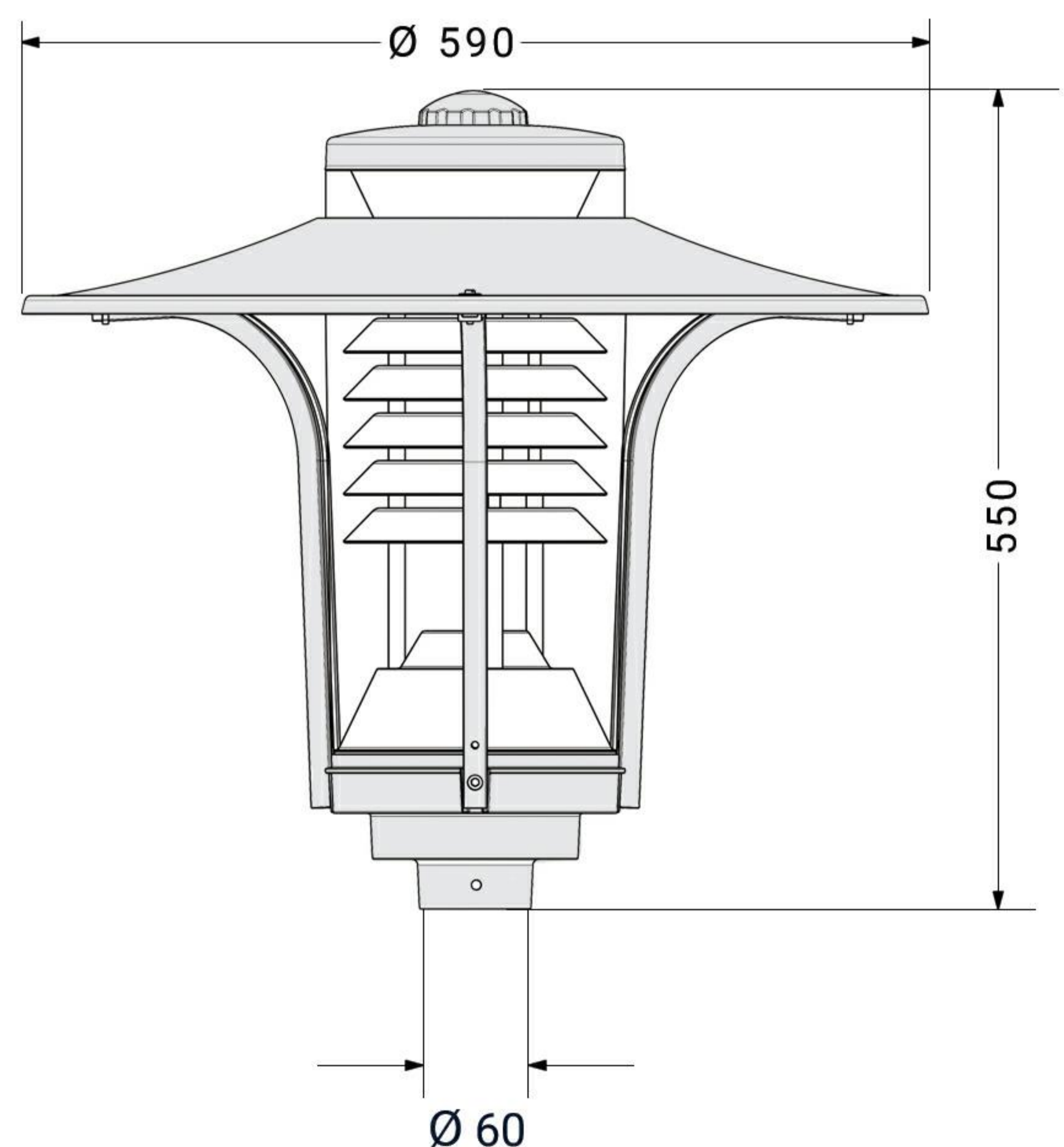
30 W	40 W	50 W	60 W	70 W	100 W	150 W	200 W

Not technically or economically recommended

Usable

Useless

Description: Maximum lamp diameter 95 mm CFL



Morvarid T15-02  
Visit Online



## SPECIFICATION

Power consumption range	30~70 (Maximum lamp diameter 95mm)	Maximum weight (kg)	7
source of light	CFL	Installation height (m)	3 - 4
Frequency (Hz)	50	IP protection	43
Input voltage (V)	230	Wind resistant surface	0.12
Input current (A)	0.95	Bubble	Polycarbonate
Body	Pipe catcher: Die-cast aluminum	Electric shock protection class	Class I
Tongs : Extruded aluminum	Cap: Aluminum sheet	Reflector material	Anodized aluminum
Power factor	0.95	Pipe diameter (mm)	Ø 60
Lamp holder	E27	Body cover	Electrostatic paint
environment temperature (C°)	35	Packing dimensions (mm)	550 x 540
Dimensions (mm)	590 x 590 x 550	Operating temperature range	-20 ~ +50

## Park Lights

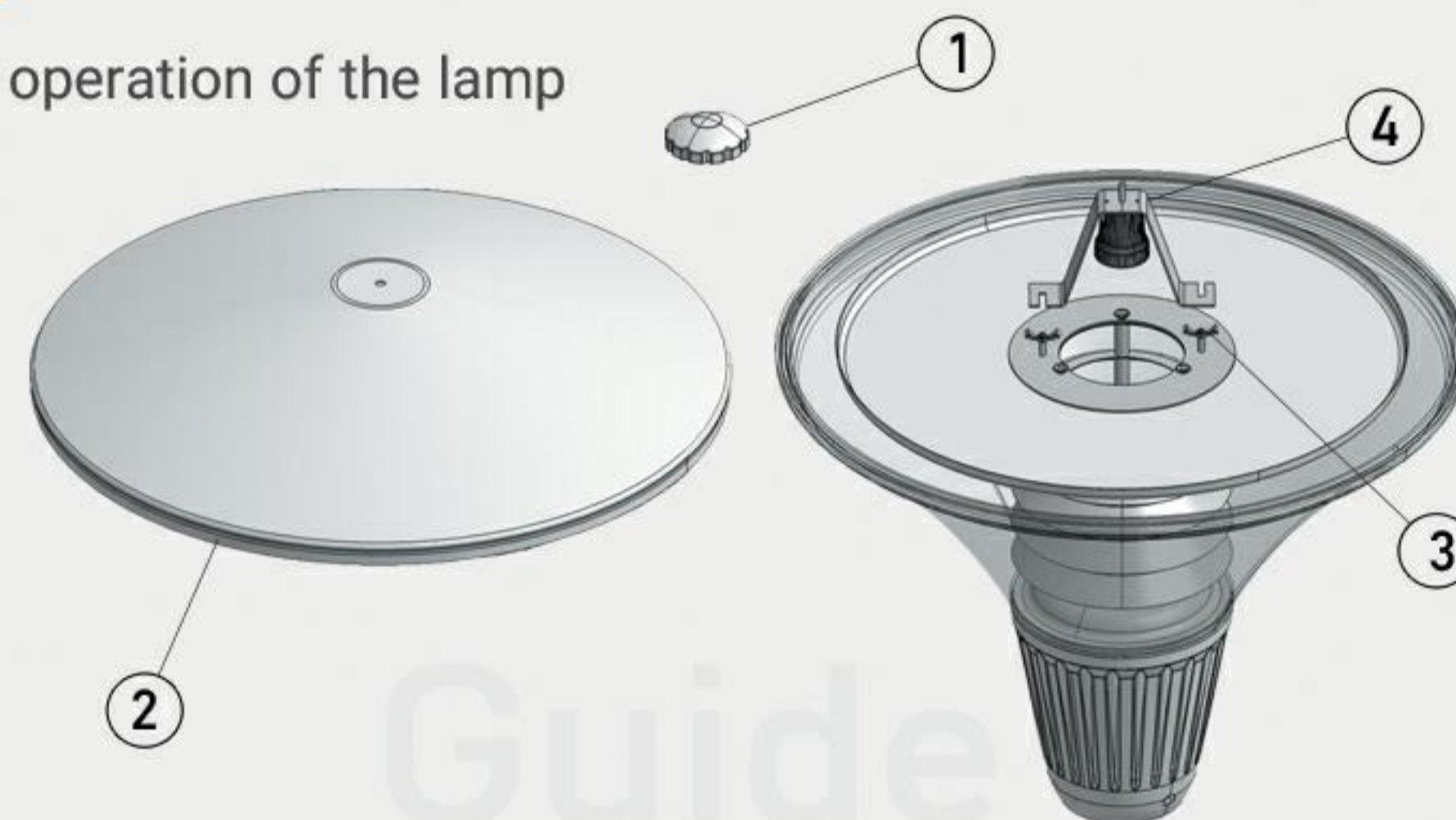


- For use in parks, beaches and grounds
- Proper light efficiency
- Replace the lamp from above for ease of installation and operation
- High sealing and electrostatic powder coating
- Eco-friendly

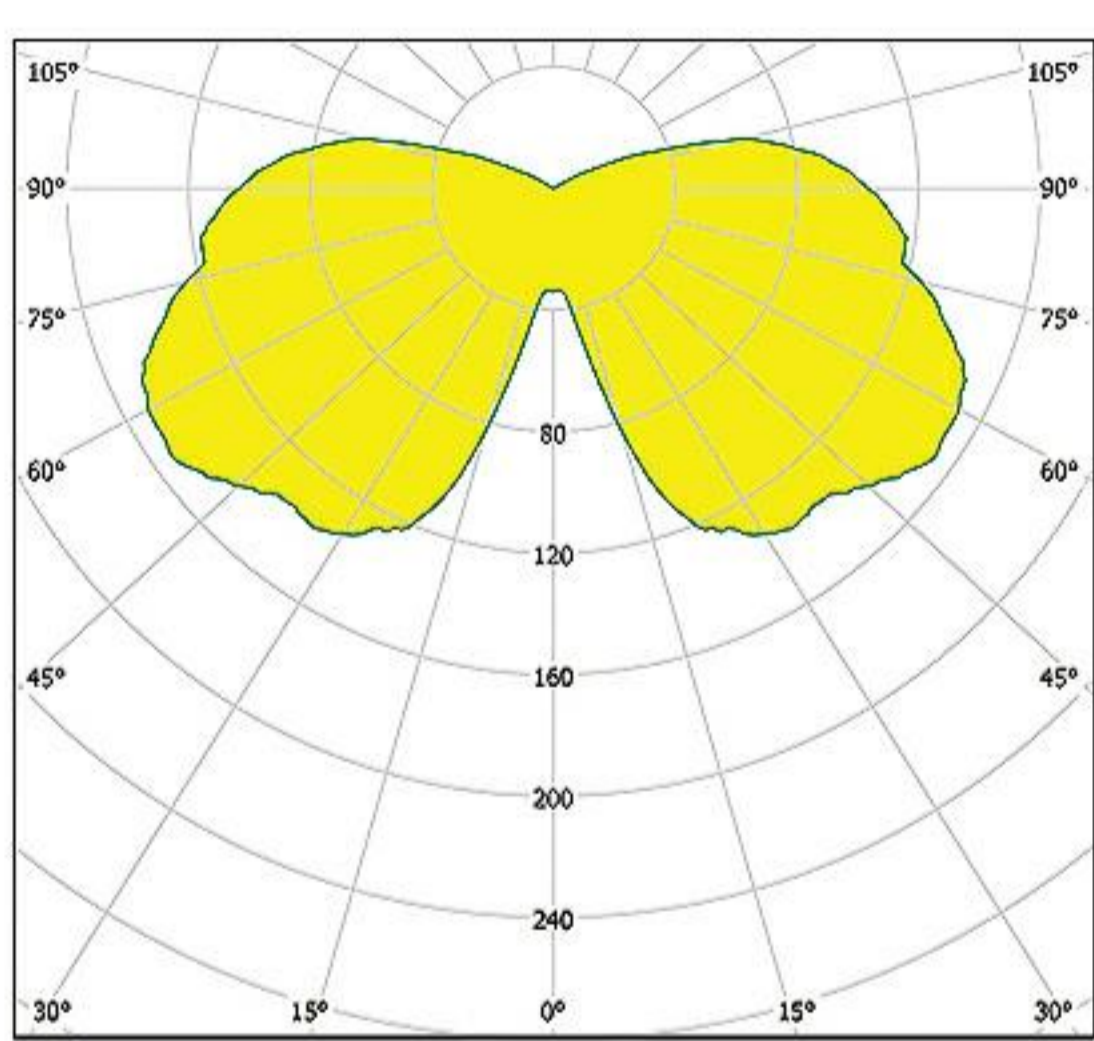
### Installation and Operation

Replace the lamp from above for ease of installation and operation of the lamp

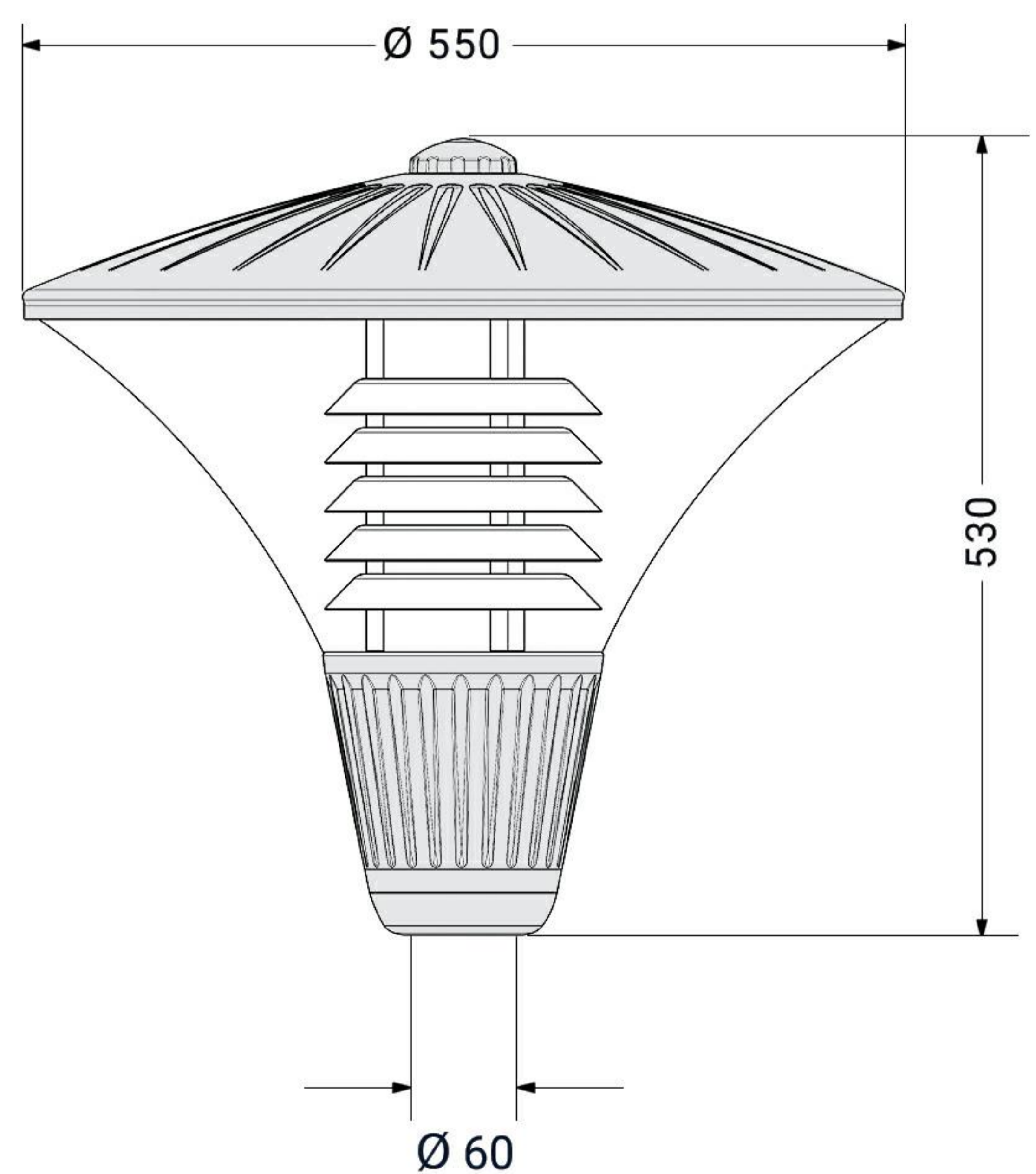
- Open the lamp cap nut
- Remove the lamp cap
- Loosen the rooster nuts
- Remove the deflection kit and install or replace the lamp



### Light Distribution Curve



50W CFL



### Lamp Type

Energy Saving Lamp (CFL)

30 W	40 W	50 W	60 W	70 W	100 W	150 W	200 W

Not technically or economically recommended

Usable

Useless

Description: (Maximum lamp diameter 95mm)

CFL



Sadaf T05  
Visit Online



## SPECIFICATION

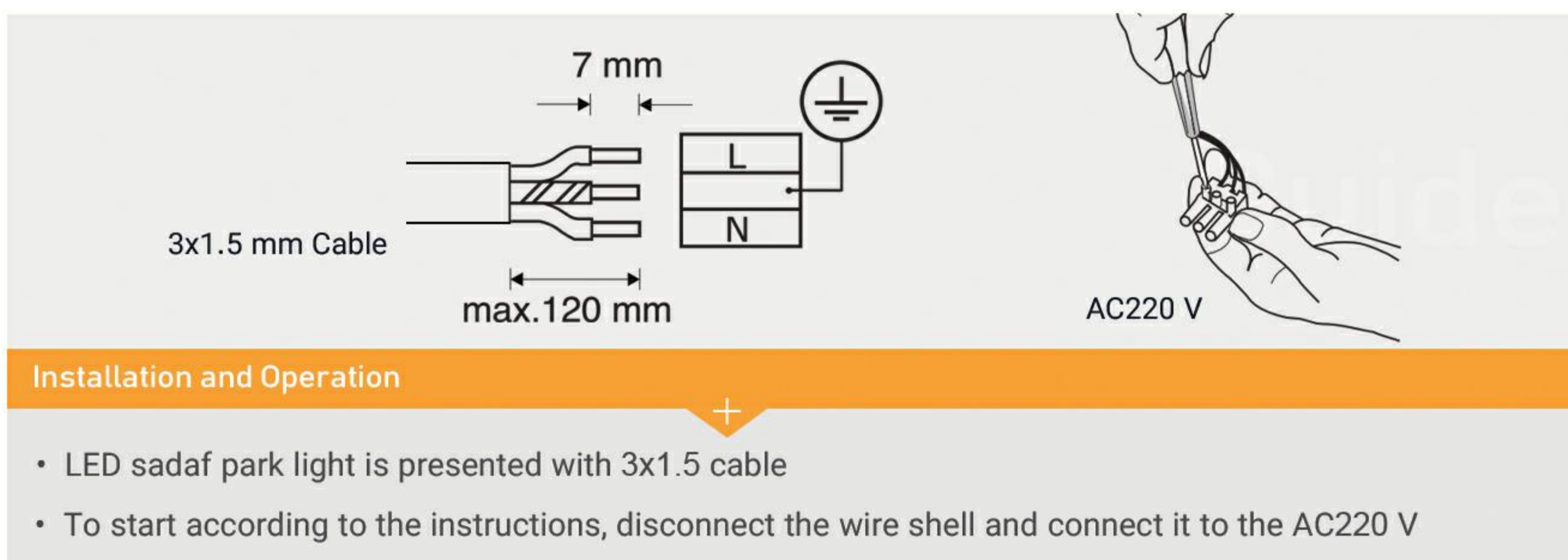
Power consumption range	30~70 (Maximum lamp diameter 95mm)	Maximum weight (kg)	5.8
source of light	CFL	Installation height (m)	3 - 4
Frequency (Hz)	50	IP protection	65
Input voltage (V)	230	Wind resistant surface	0.12
Input current (A)	0.95	Bubble	Polycarbonate
Body	Pipe catcher: Die-cast aluminum Cap: Aluminum sheet	Electric shock protection class	Class I
Power factor	0.95	Reflector material	Anodized aluminum
Lamp holder	E27	Pipe diameter (mm)	Ø 60
environment temperature	35	Body cover	Electrostatic paint
Dimensions (mm)	550 x 550 x 530	Packing dimensions (mm)	550 x 550 x 540
		Operating temperature range	-20 ~ +50



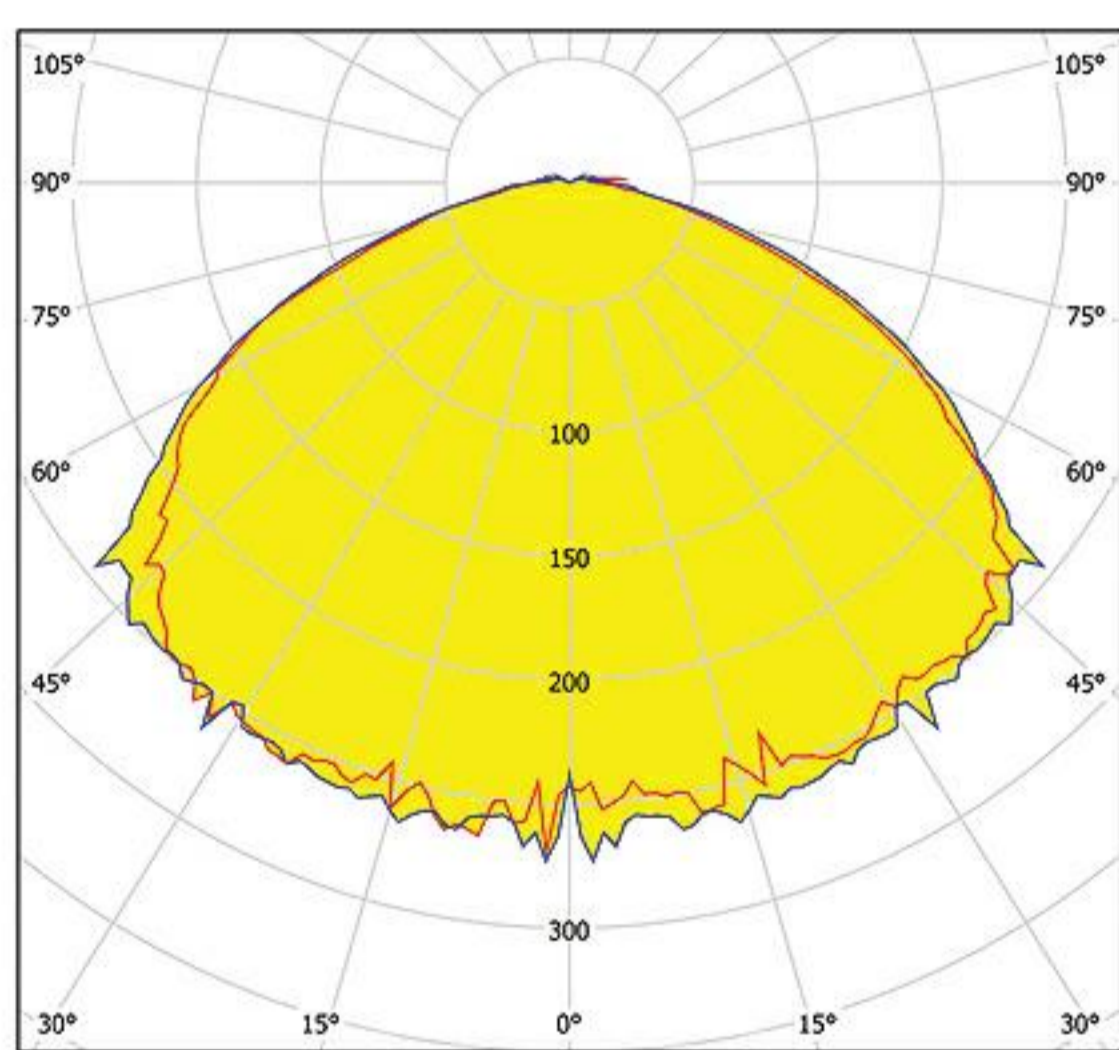
## LED Park Lights



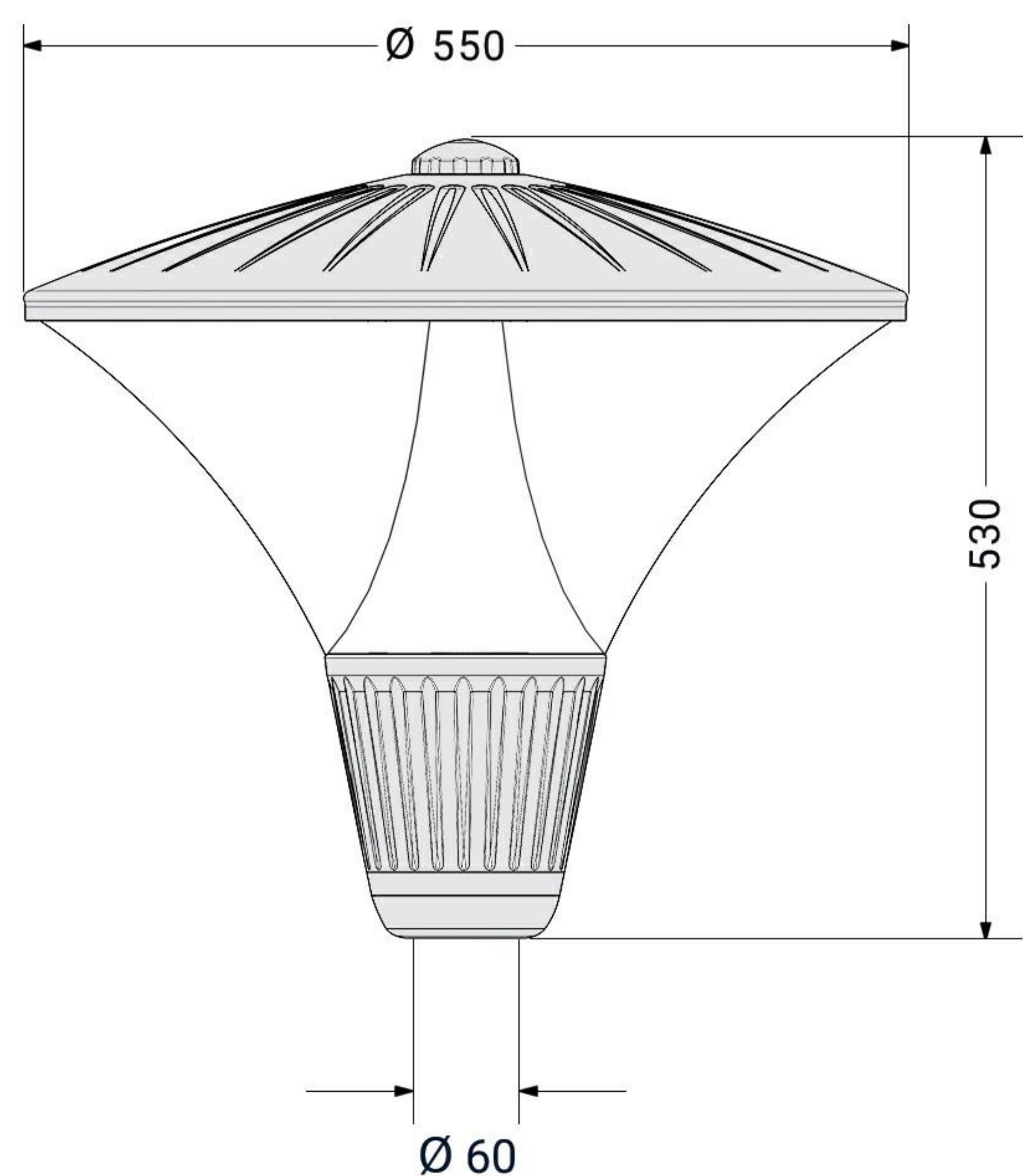
- Use the latest technology with high heat dissipation
- Proper light efficiency
- Polycarbonate bubble with anti-ultraviolet properties
- High sealing and electrostatic powder coating
- environment-friendly



### Light Distribution Curve



35W LED





Sadaf LED T06  
Visit Online



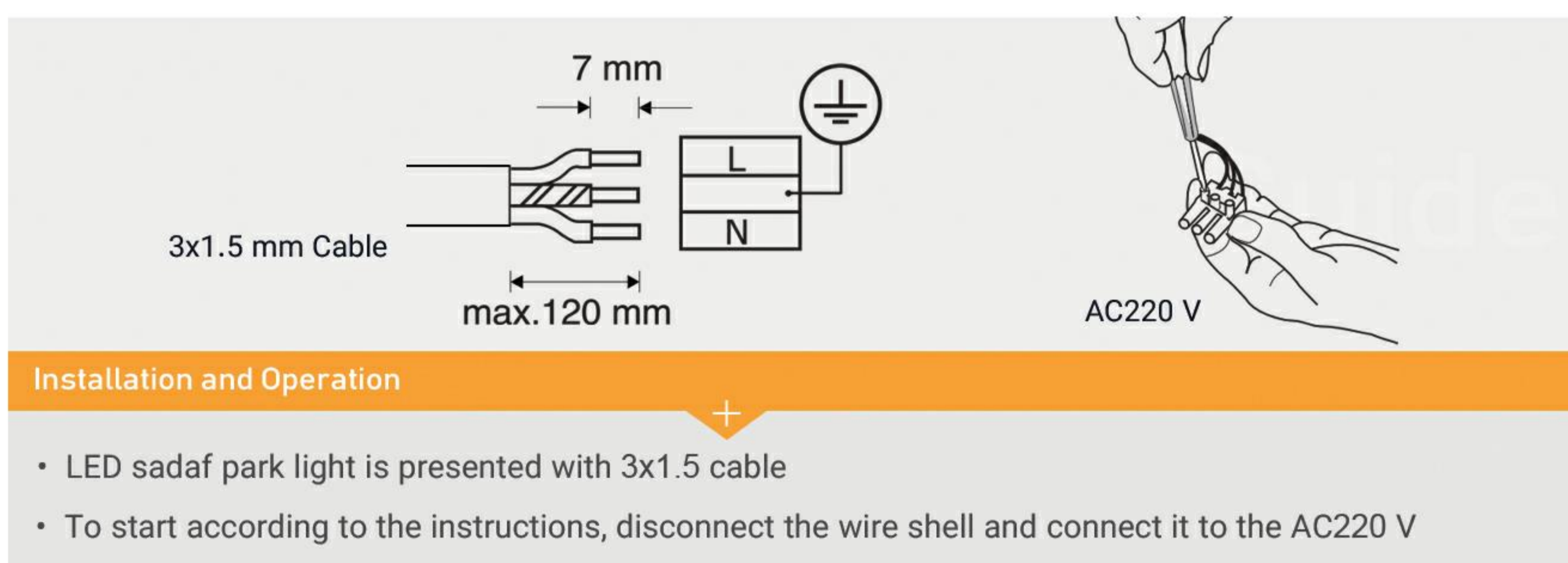
## SPECIFICATION

Nominal power (W)	35	Electric shock protection class	Class I
Nominal input (Vac=230)	0.155	Color coordinate tolerance	5SDCM
Nominal voltage of the module (Vdc)	25	Optical flux conservation code	9
Light source	SMD LED	Metering code	760/559
Number of individual LEDs used in the module	36	IP Protection	65
Rated power of LED	1.5	Body Material	Aluminum die-cast
luminous flux (Lm)	4350	The material of the outermost translucent wall	Polycarbonate
luminous efficiency (Lm/W)	125	Body cover	Electrostatic paint
Nominal input voltage and frequency (Vac/Hz)	230/50	Pipe diameter (mm)	Ø 60
River voltage and frequency range (Vac/Hz)	100~260 / 50~60	Weight (kg)	5.8
Power factor	PF ≥ 95%	Dimensions of light (mm)	550 x 550 x 530
Harmonic waves	THD ≤ 15%	Packaging dimensions (mm)	550 x 550 x 540
Module type	Non-integrated	Nominal ambient temperature associated with lamp operation	25 (C°)
Color indicator	75	Operating temperature range (C°)	-20 ~ +50
* Color temperature values of 5000-6500 can be provided by customer order		Maximum allowable humidity (%)	95
		Nominal lifespan (hour)	50000

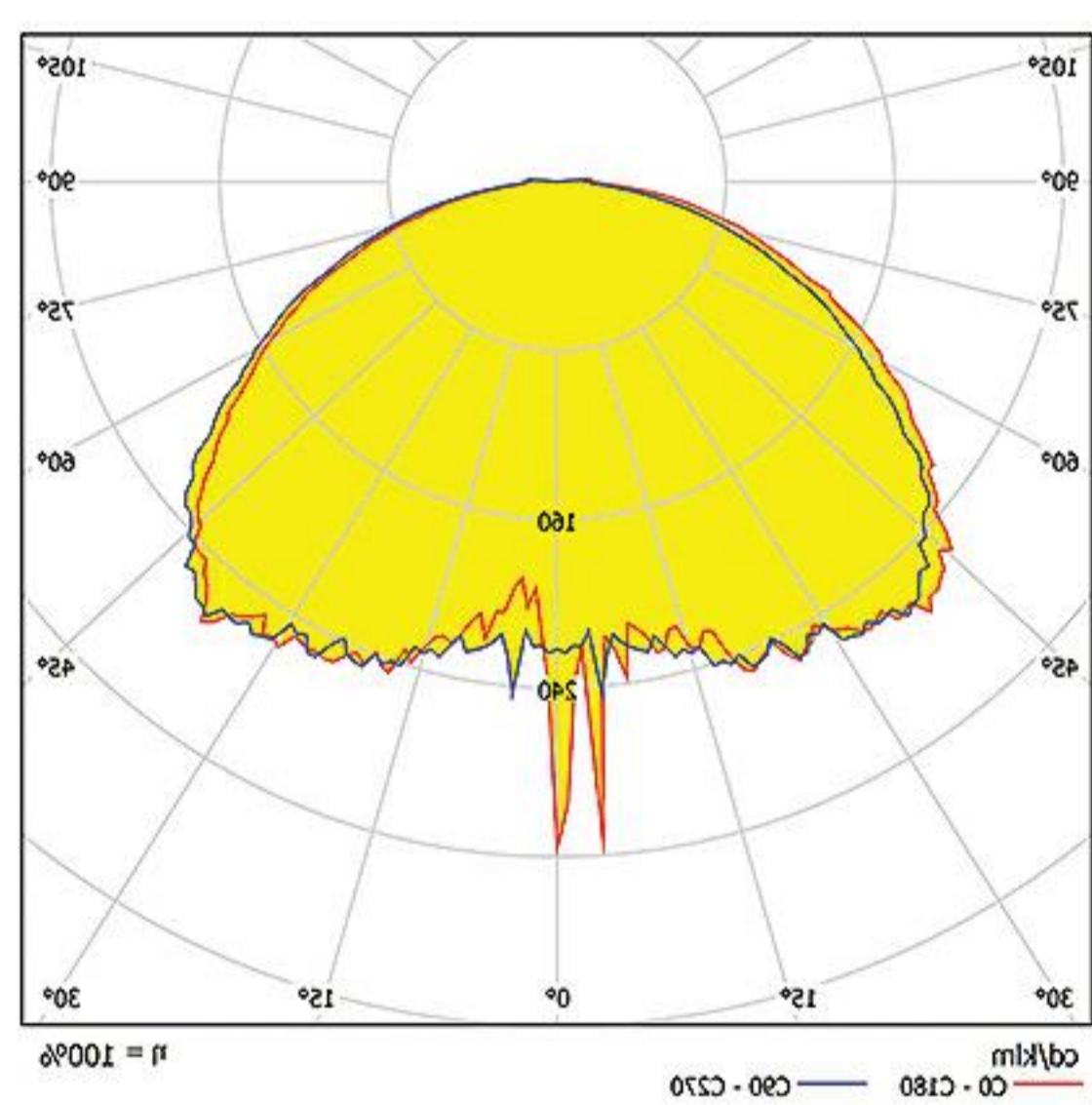
## Park Light Ring LED



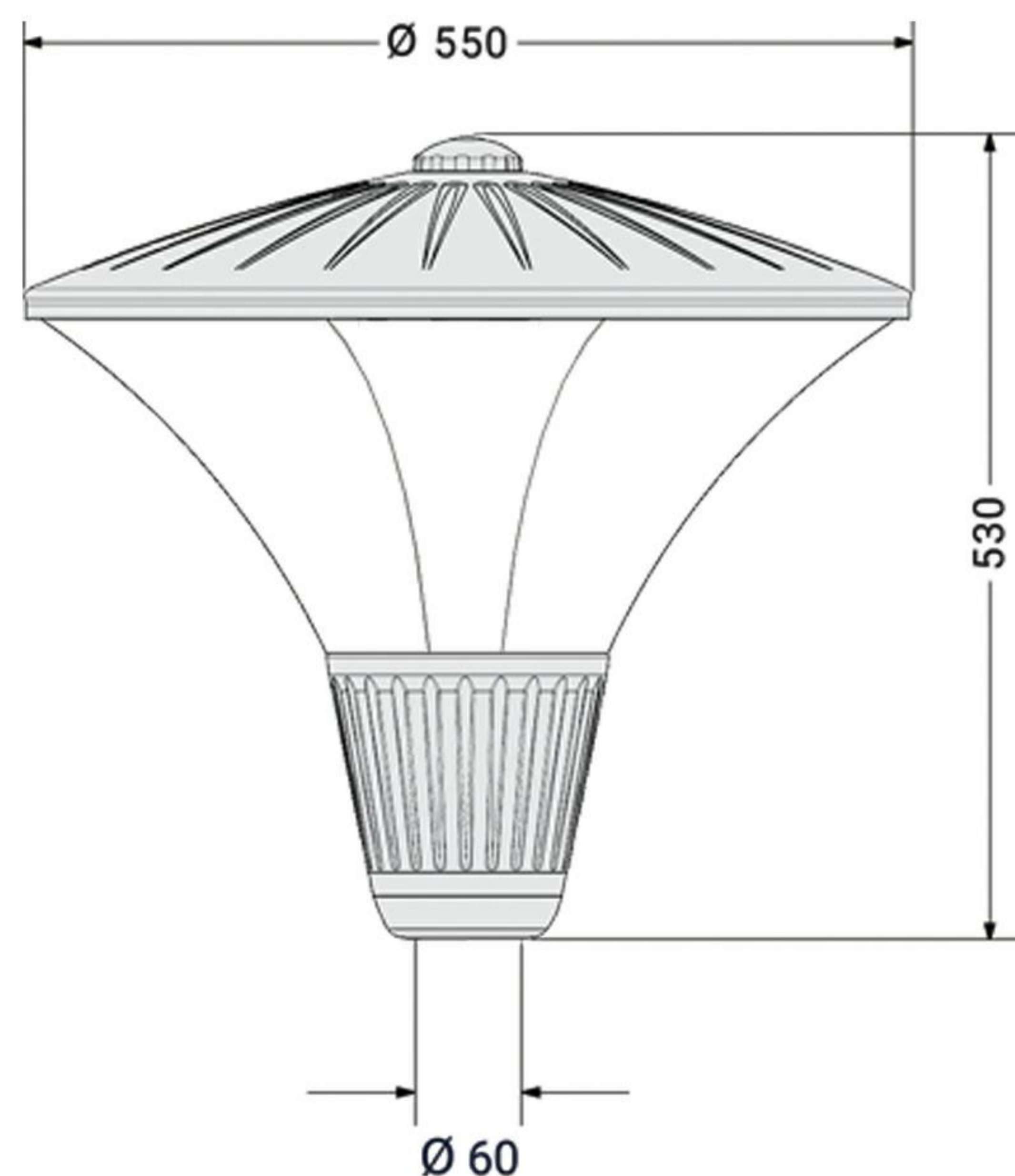
- Use the latest technology with high heat dissipation
- Proper light efficiency
- Polycarbonate bubble with anti-ultraviolet properties
- High sealing and electrostatic powder coating
- environment-friendly



### Light Distribution Curve



35W LED





Sadaf LED T06-03  
Visit Online



## SPECIFICATION

Nominal power (W)	35	Electric shock protection class	Class I
Nominal input (Vac=230)	0.155	Color coordinate tolerance	2SDCM
Nominal voltage of the module (Vdc)	36	Optical flux conservation code	9
Light source	SMD LED	Metering code	760/229
Number of individual LEDs used in the module	48	IP Protection	65
Rated power of LED	1	Body Material	Aluminum die-cast
luminous flux (Lm)	4572	The material of the outermost translucent wall	Polycarbonate
luminous efficiency (Lm/W)	130	Body cover	Electrostatic paint
Nominal input voltage and frequency (Vac/Hz)	230/50	Pipe diameter (mm)	Ø 60
River voltage and frequency range (Vac/Hz)	100~260 / 50~60	Weight (kg)	5.8
Power factor	PF ≥ 95%	Dimensions of light (mm)	550 x 550 x 530
Harmonic waves	THD ≤ 15%	Packaging dimensions (mm)	550 x 550 x 540
Module type	Non-integrated	Nominal ambient temperature associated with lamp operation	25 (C°)
Color indicator	75	Operating temperature range (C°)	-20 ~ +50
* Color temperature values of 5000-6500 can be provided by customer order		Maximum allowable humidity (%)	95
		Nominal lifespan (hour)	50000

## Grass light LED

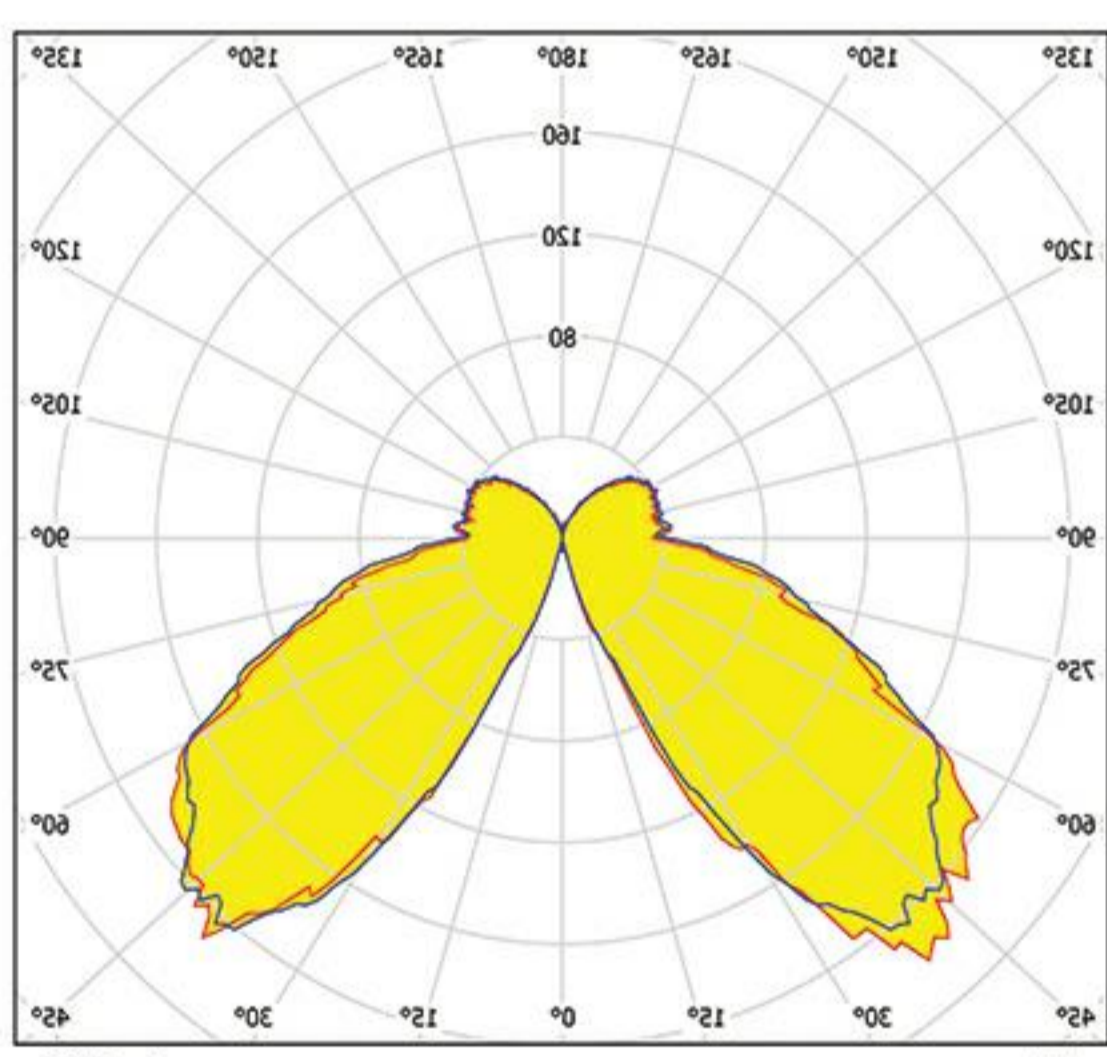
- Eye-catching appearance for parks and green spaces
- Ease of installation
- Has a simple and beautiful appearance, symmetrical and uniform light distribution
- Optical efficiency and long life
- Equipped with a special power supply in accordance with safety and performance standards
- Eco-friendly



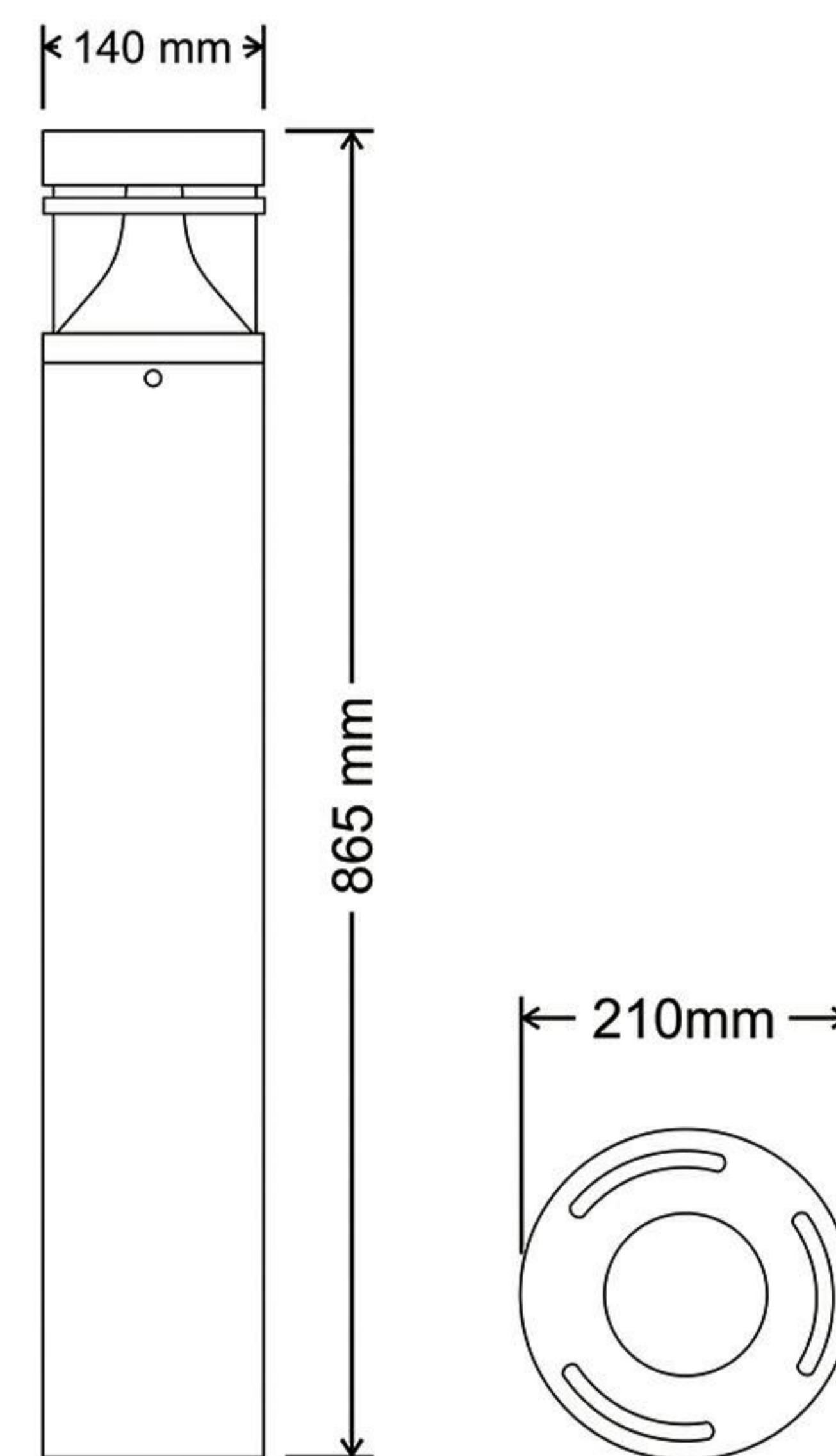
**Installation and Operation**

- LED sadaf park light is presented with 3x1.5 cable
- To start according to the instructions, disconnect the wire shell and connect it to the AC220 V

### Light Distribution Curve



18W LED





Atarin LED T27-01  
Visit Online



## SPECIFICATION

Nominal power (W)	18	Electric shock protection class	Class I
Nominal input (Vac=230)	0.081	Color coordinate tolerance	2SDCM
Nominal voltage of the module (Vdc)	24	Optical flux conservation code	9
Light source	SMD LED	Metering code	740/229
Number of individual LEDs used in the module	20	IP Protection	65
Rated power of LED	1.5	Body Material	Iron
luminous flux (Lm)	1980	The material of the outermost translucent wall	Polycarbonate
luminous efficiency (Lm/W)	106	Body cover	Electrostatic paint
Nominal input voltage and frequency (Vac/Hz)	230/50	Weight (kg)	11.8
River voltage and frequency range (Vac/Hz)	90~260 / 50~60	Dimensions of light (mm)	140 x 140 x 865
Power factor	PF ≥ 95%	Packaging dimensions (mm)	145 x 145 x 870
Harmonic waves	THD ≤ 15%	Nominal ambient temperature associated with lamp operation	25(C°)
Module type	Non-integrated	Operating temperature range (C°)	-20 ~ +50
Color indicator	75	Maximum allowable humidity (%)	95
* Color temperature values of 5000-6500 can be provided by customer order		Nominal lifespan (hour)	50000

## Grass light LED

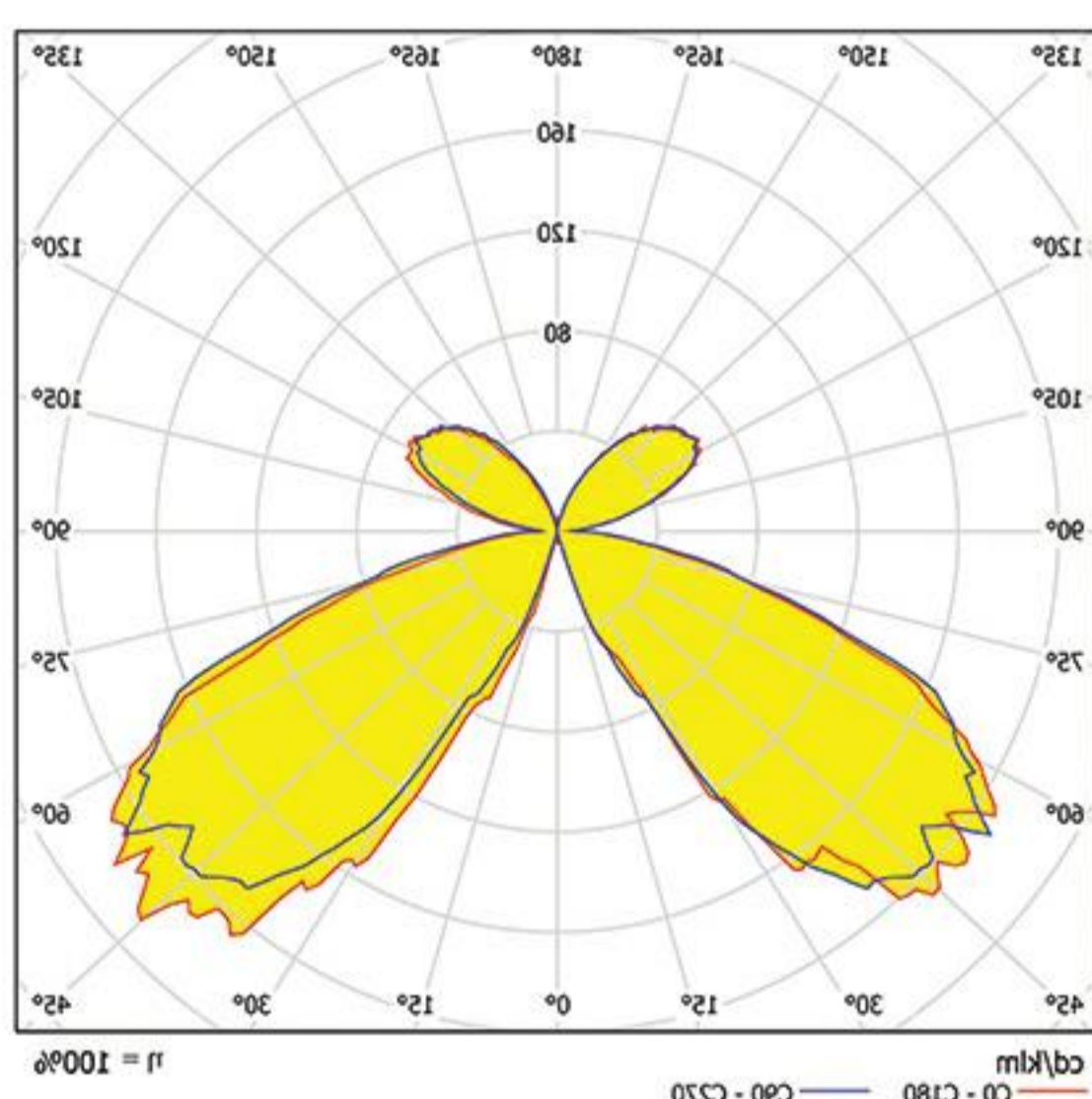
- Eye-catching appearance for parks and green spaces
- Ease of installation
- Has a simple and beautiful appearance, symmetrical and uniform light distribution
- Optical efficiency and long life
- Equipped with a special power supply in accordance with safety and performance standards
- Eco-friendly



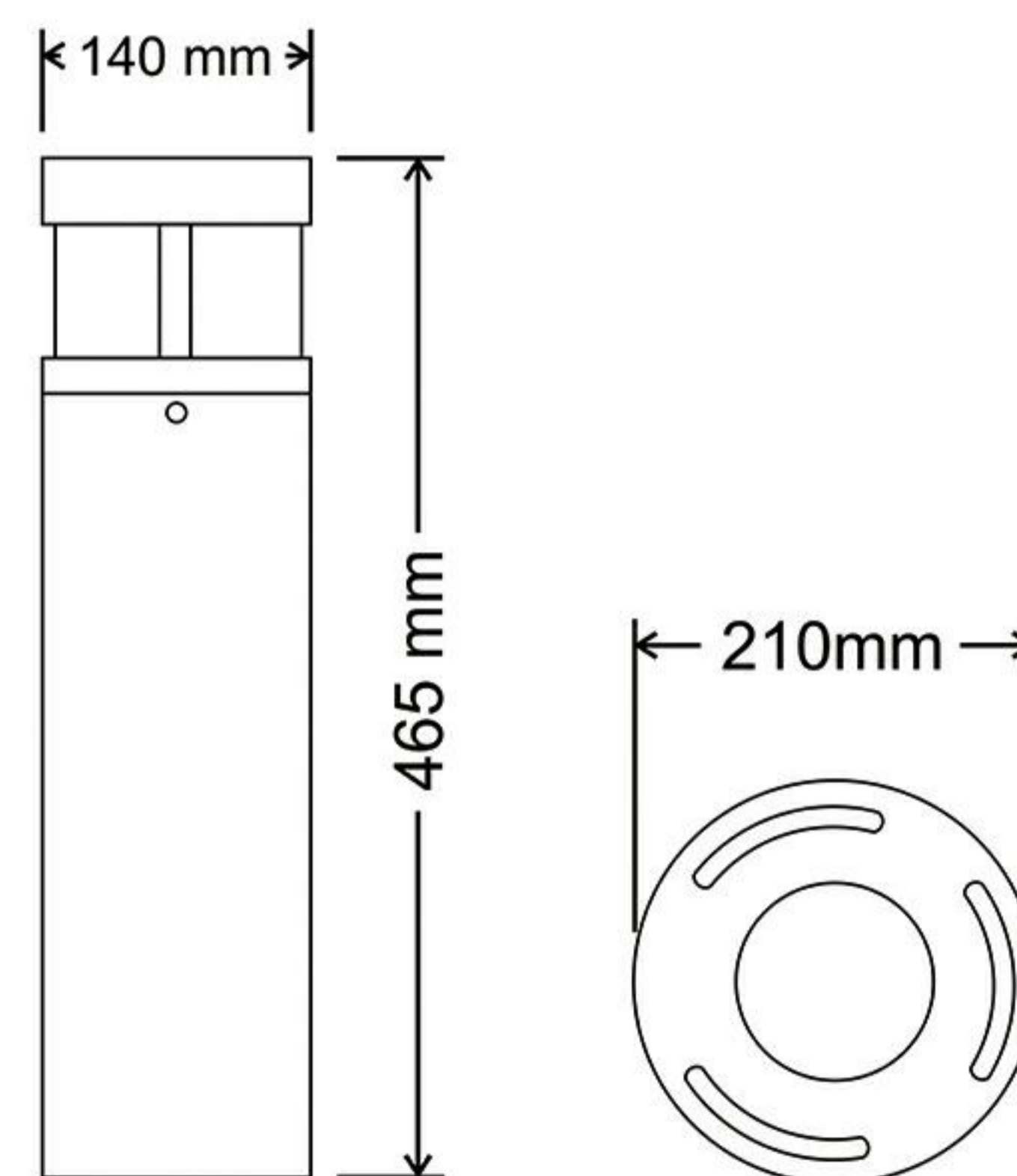
**Installation and Operation**

- LED sadaf park light is presented with 3x1.5 cable
- To start according to the instructions, disconnect the wire shell and connect it to the AC220 V

### Light Distribution Curve



18W LED





Atarin LED T27-02  
Visit Online



## SPECIFICATION

Nominal power (W)	18	Electric shock protection class	Class I
Nominal input (Vac=230)	0.080	Color coordinate tolerance	2SDCM
Nominal voltage of the module (Vdc)	24	Optical flux conservation code	9
Light source	SMD LED	Metering code	740/229
Number of individual LEDs used in the module	20	IP Protection	65
Rated power of LED	1.5	Body Material	Iron
luminous flux (Lm)	1825	The material of the outermost translucent wall	Polycarbonate
luminous efficiency (Lm/W)	100	Body cover	Electrostatic paint
Nominal input voltage and frequency (Vac/Hz)	230/50	Weight (kg)	6.8
River voltage and frequency range (Vac/Hz)	90~260 / 50~60	Dimensions of light (mm)	140 x 140 x 465
Power factor	PF ≥ 95%	Packaging dimensions (mm)	145 x 145 x 470
Harmonic waves	THD ≤ 15%	Nominal ambient temperature associated with lamp operation	25 (C°)
Module type	Non-integrated	Operating temperature range (C°)	-20 ~ +50
Color indicator	75	Maximum allowable humidity (%)	95
* Color temperature values of 5000-6500 can be provided by customer order		Nominal lifespan (hour)	50000





Flood Lights

# Outdoor lighting

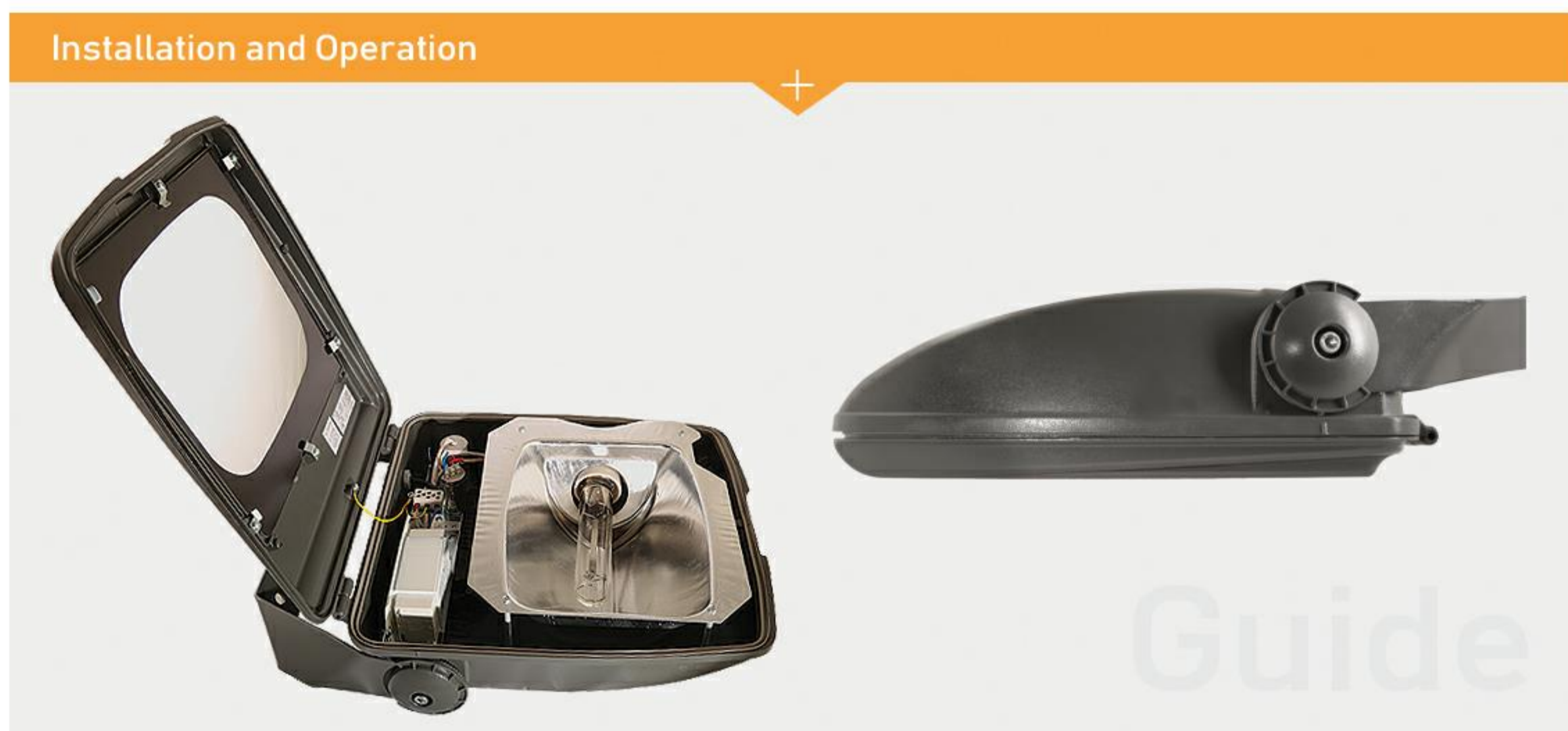
# Flood lights



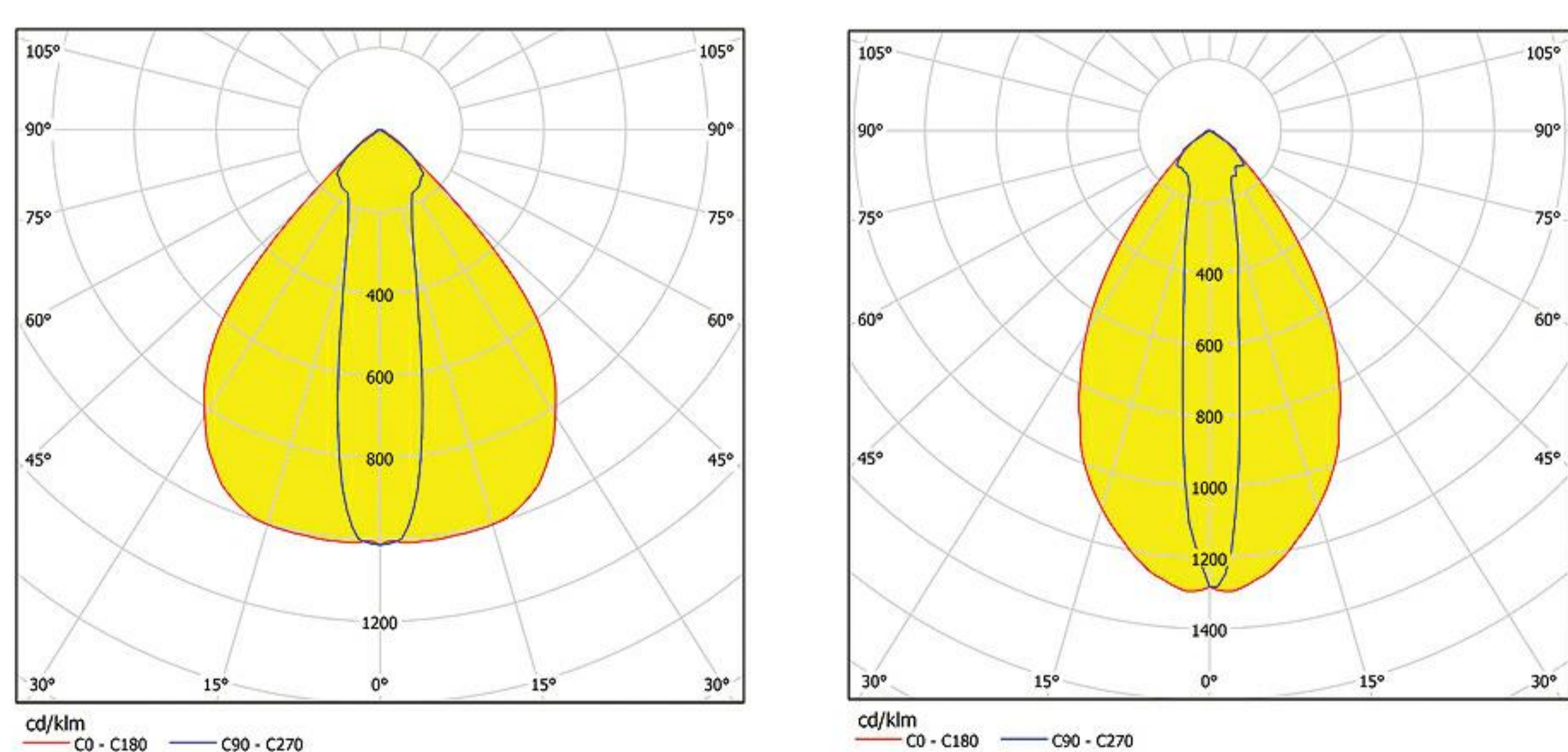
## Symmetrical Illuminator



- Ability to install 400, 250 and 150 watt lamps
- Calibrated mounting bracket
- Symmetric light scattering
- Securite flat glass with a thickness of 5 mm
- Anodized aluminum reflector



### Light Distribution Curve



250W HPS

400W HPS

### Lamp Type

High Pressure Sodium (HPS)-Metal Halide						
35 W	50 W	70 W	100 W	150 W	250 W	400 W

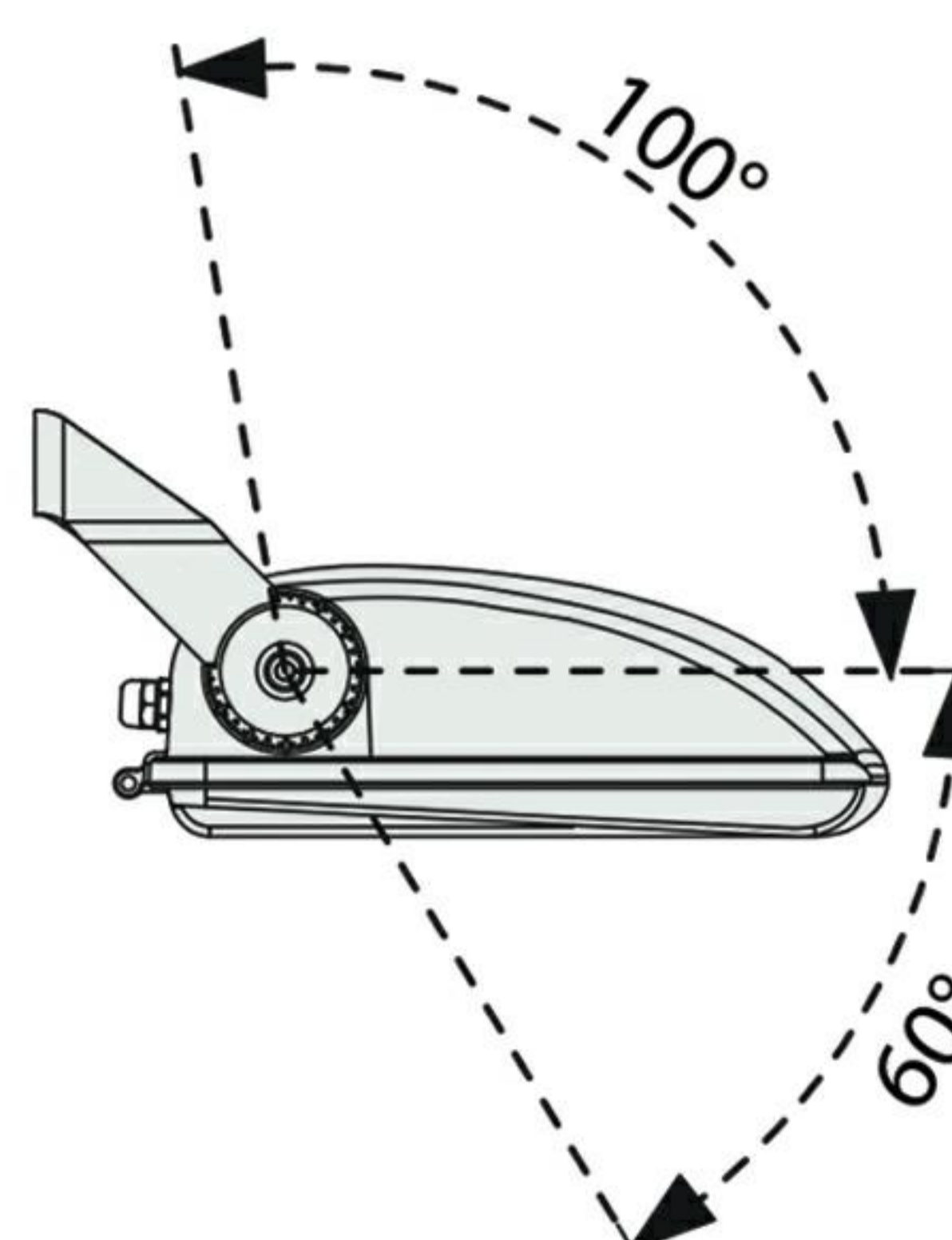
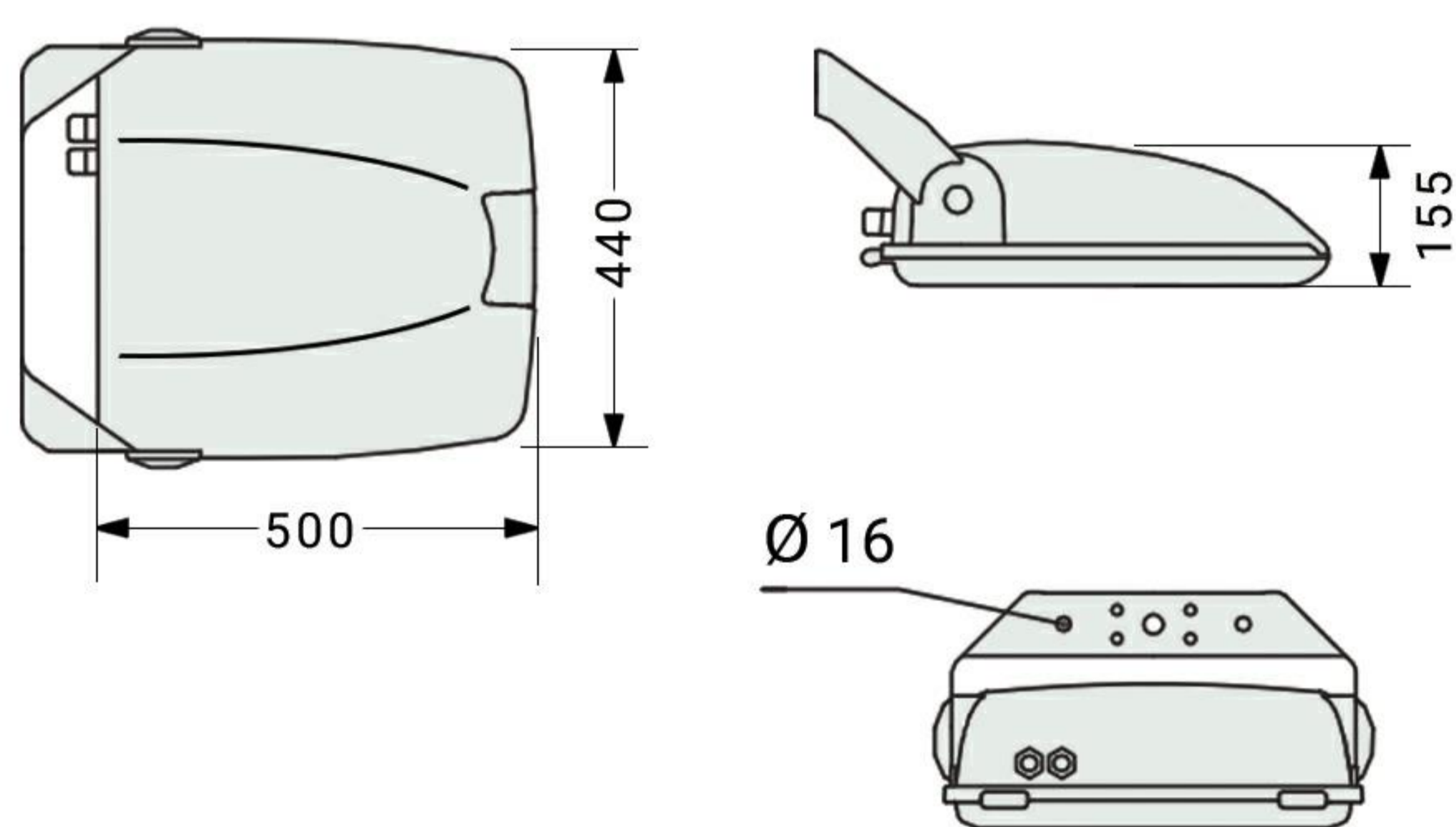
Not technically or economically recommended

Usable

Useless

Tubular lamp

Light bulb





Ofogh Symmetrical T04-01  
Visit Online



## SPECIFICATION

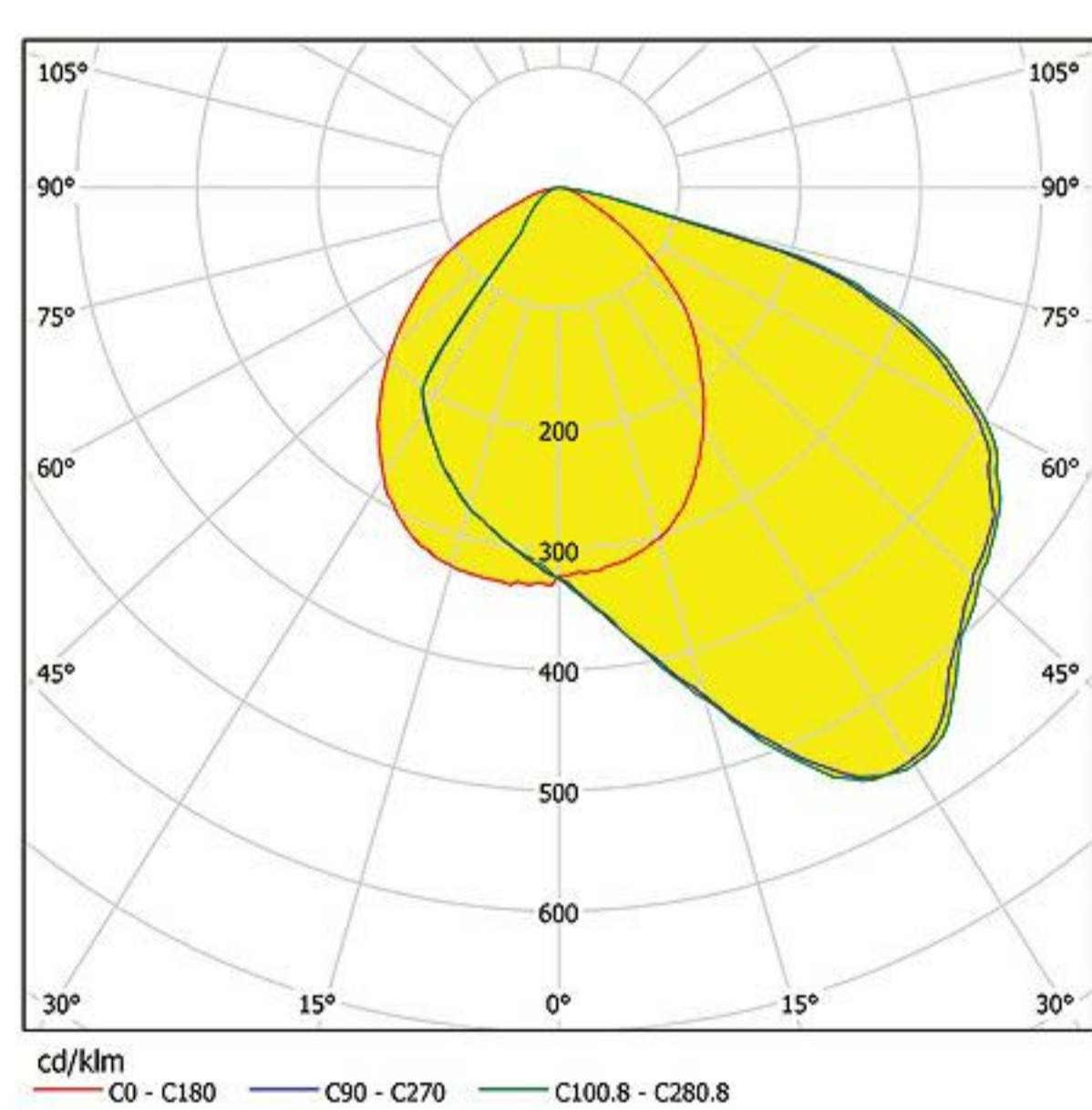
Power consumption range (W)	250	400	environment temperature (C°)	35
Real power (W)	306	428	Dimensions of lights (mm)	500 x 440 x 155
luminous flux (Lm)	28746	34099	Installation height (m)	4 - 15
Frequency (Hz)	50	50	Optical IP protection	65
Input voltage (V)	230	230	Electrical IP protection	65
Input current (A)	1.430	2.060	Wind resistant surface	0.099
Maximum weight (kg)	13.8	14	Bubble	Securite Flat
Light source	HID Lamp		Electric shock protection class	Class I
Body	Aluminum die-cast		Reflector material	Anodized aluminum
Lamp holder	E40		Body cover	Electrostatic paint
Pipe diameter (mm)	Degree		Packaging dimensions (mm)	640 x 462 x 180

## Asymmetrical Illuminator

- Ability to install 400, 250 and 150 watt lamps
- Calibrated mounting bracket
- Symmetric light scattering
- Securite flat glass with a thickness of 5 mm
- Anodized aluminum reflector



### Light Distribution Curve



250-400W HPS

### Lamp Type

High Pressure Sodium (HPS)-Metal Halide						
35 W	50 W	70 W	100 W	150 W	250 W	400 W

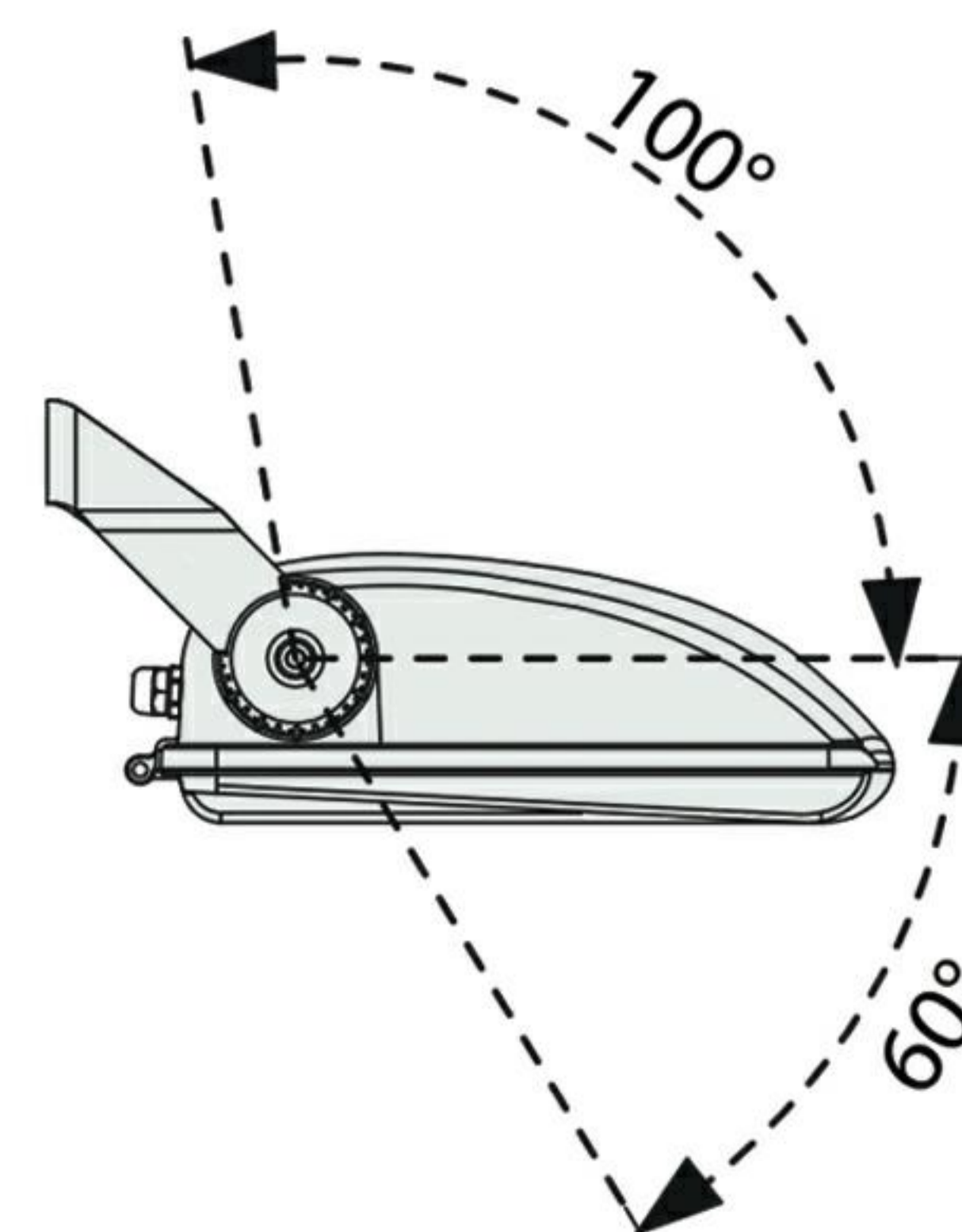
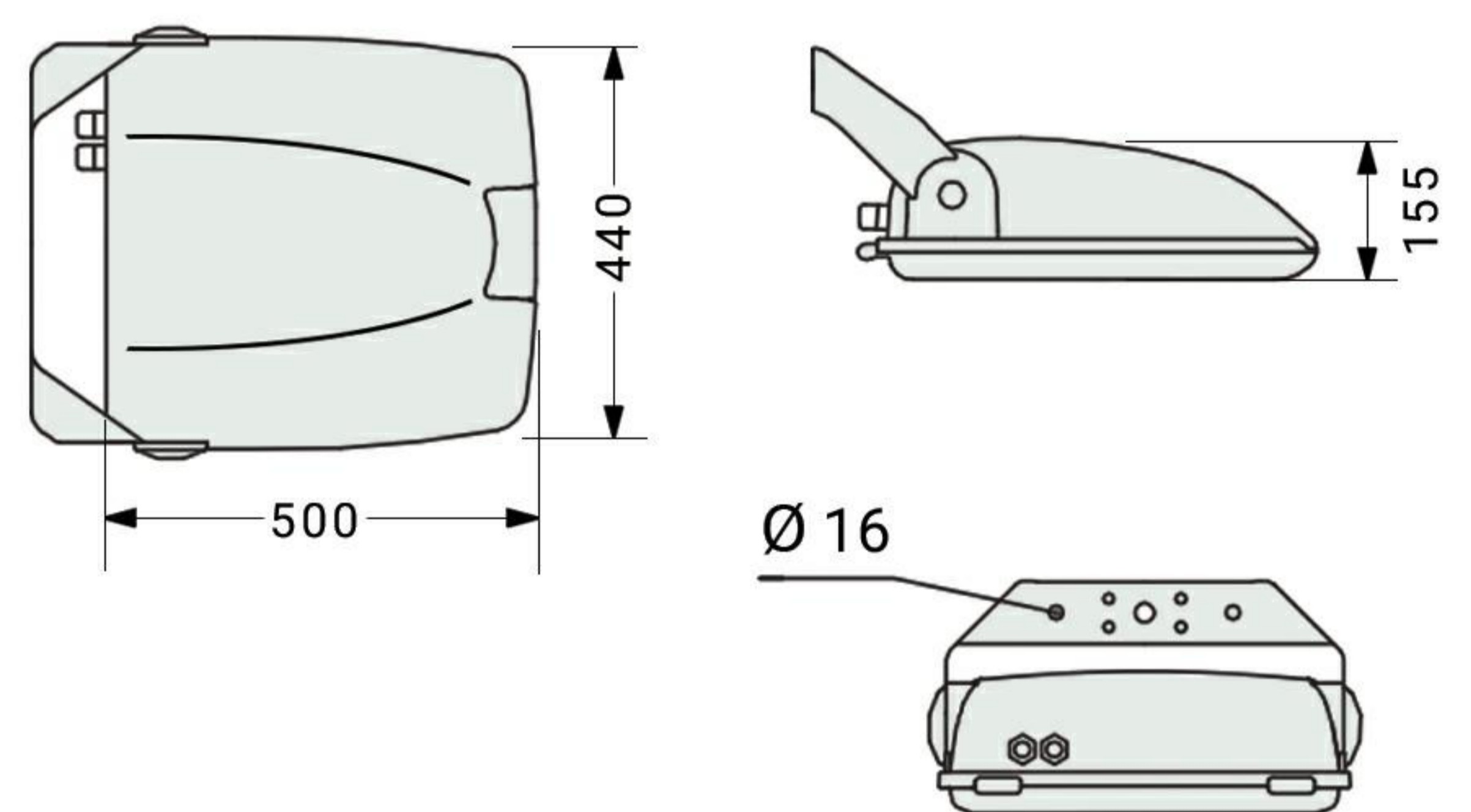
Not technically or economically recommended

Usable

Useless

Tubular lamp

Light bulb





Ofogh Asymmetrical T04-02  
Visit Online



## SPECIFICATION

Power consumption range (W)	250	400	environment temperature (C°)	35
Real power (W)	306	428	Dimensions of lights (mm)	500 x 440 x 155
luminous flux (Lm)	28746	34099	Installation height (m)	4 - 15
Frequency (Hz)	50	50	Optical IP protection	65
Input voltage (V)	230	230	Electrical IP protection	65
Input current (A)	1.430	2.060	Wind resistant surface	0.099
Maximum weight (kg)	13.8	14	Bubble	Securite Flat
Light source	HID Lamp		Electric shock protection class	Class I
Body	Aluminum die-cast		Reflector material	Anodized aluminum
Lamp holder	E40		Body cover	Electrostatic paint
Pipe diameter (mm)	Degree		Packaging dimensions (mm)	640 x 462 x 180

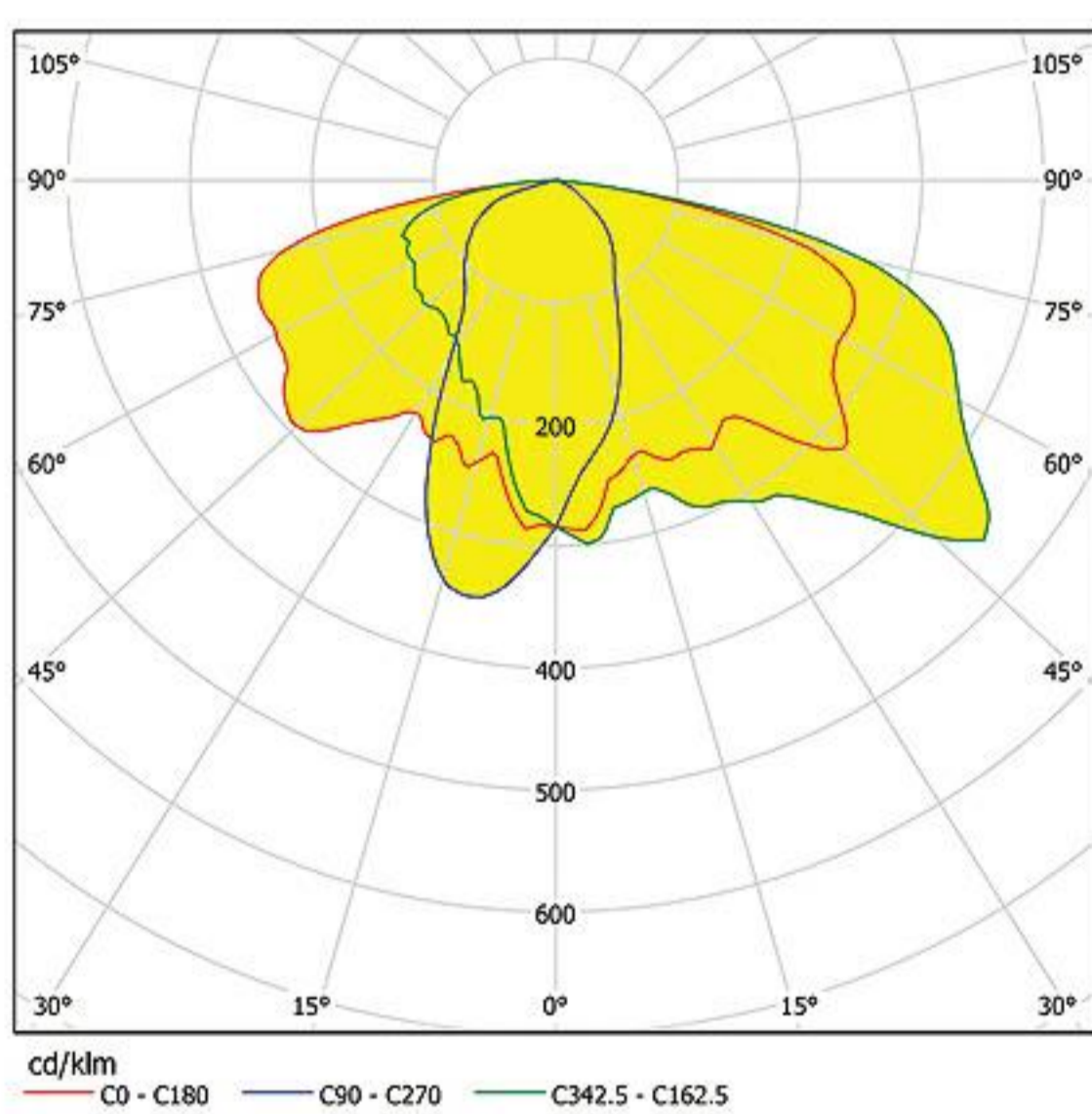
## Street Illuminator



- Ability to install 400, 250 and 150 watt lamps
- Street light scattering
- Calibrated mounting bracket
- Symmetric light scattering
- Securite flat glass with a thickness of 5 mm
- Anodized aluminum reflector



### Light Distribution Curve



250-400W HPS

### Lamp Type

High Pressure Sodium (HPS)-Metal Halide						
35 W	50 W	70 W	100 W	150 W	250 W	400 W

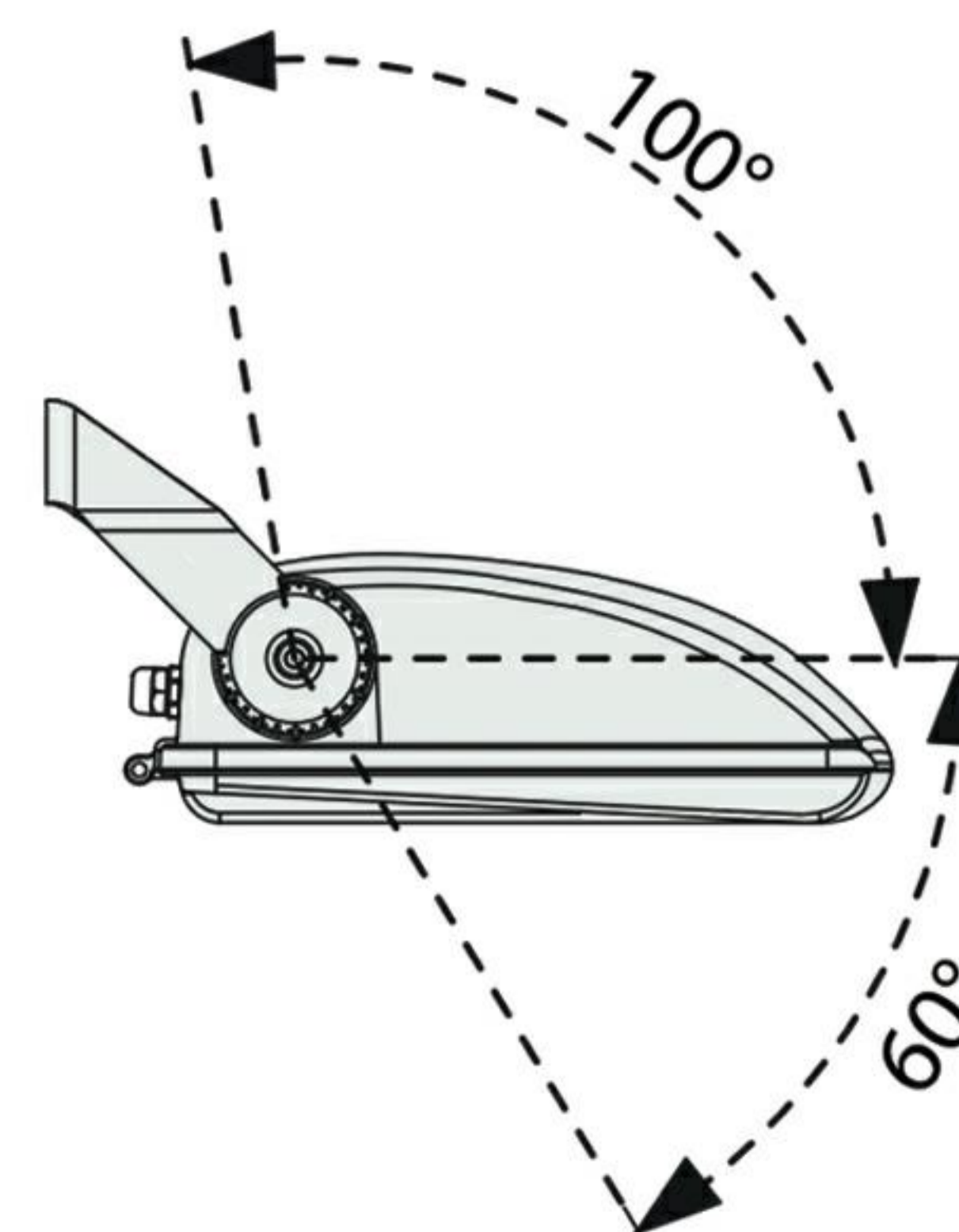
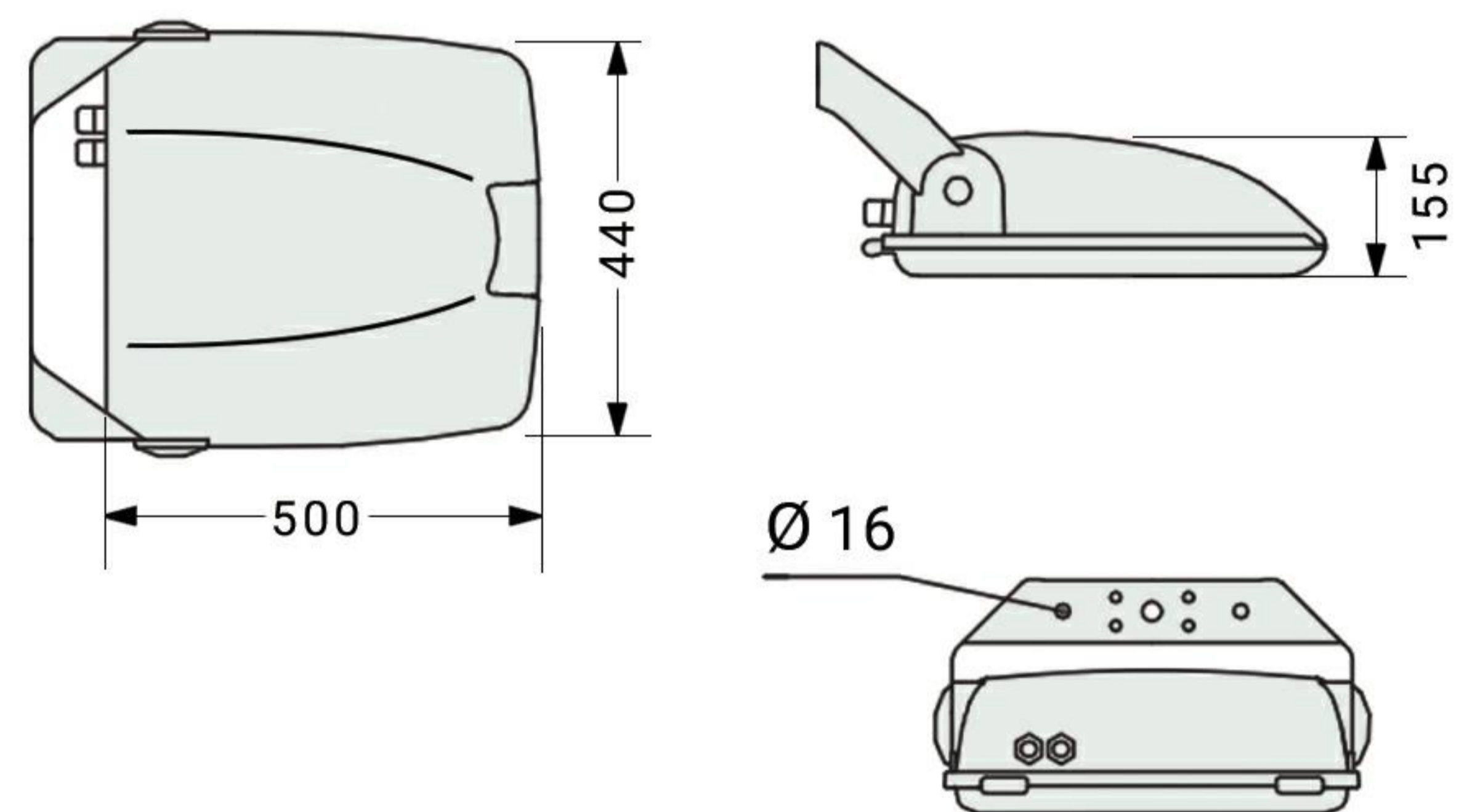
Not technically or economically recommended

Usable

Useless

Tubular lamp

Light bulb





Ofogh Street light T04-03  
Visit Online



## SPECIFICATION

Power consumption range (W)	250	400	environment temperature (C°)	35
Real power (W)	306	428	Dimensions of lights (mm)	500 x 440 x 155
luminous flux (Lm)	28746	34099	Installation height (m)	4 - 15
Frequency (Hz)	50	50	Optical IP protection	65
Input voltage (V)	230	230	Electrical IP protection	65
Input current (A)	1.430	2.060	Wind resistant surface	0.099
Maximum weight (kg)	13.8	14	Bubble	Securite Flat
Light source	HID Lamp		Electric shock protection class	Class I
Body	Aluminum die-cast		Reflector material	Anodized aluminum
Lamp holder	E40		Body cover	Electrostatic paint
Pipe diameter (mm)	Degree		Packaging dimensions (mm)	640 x 462 x 180



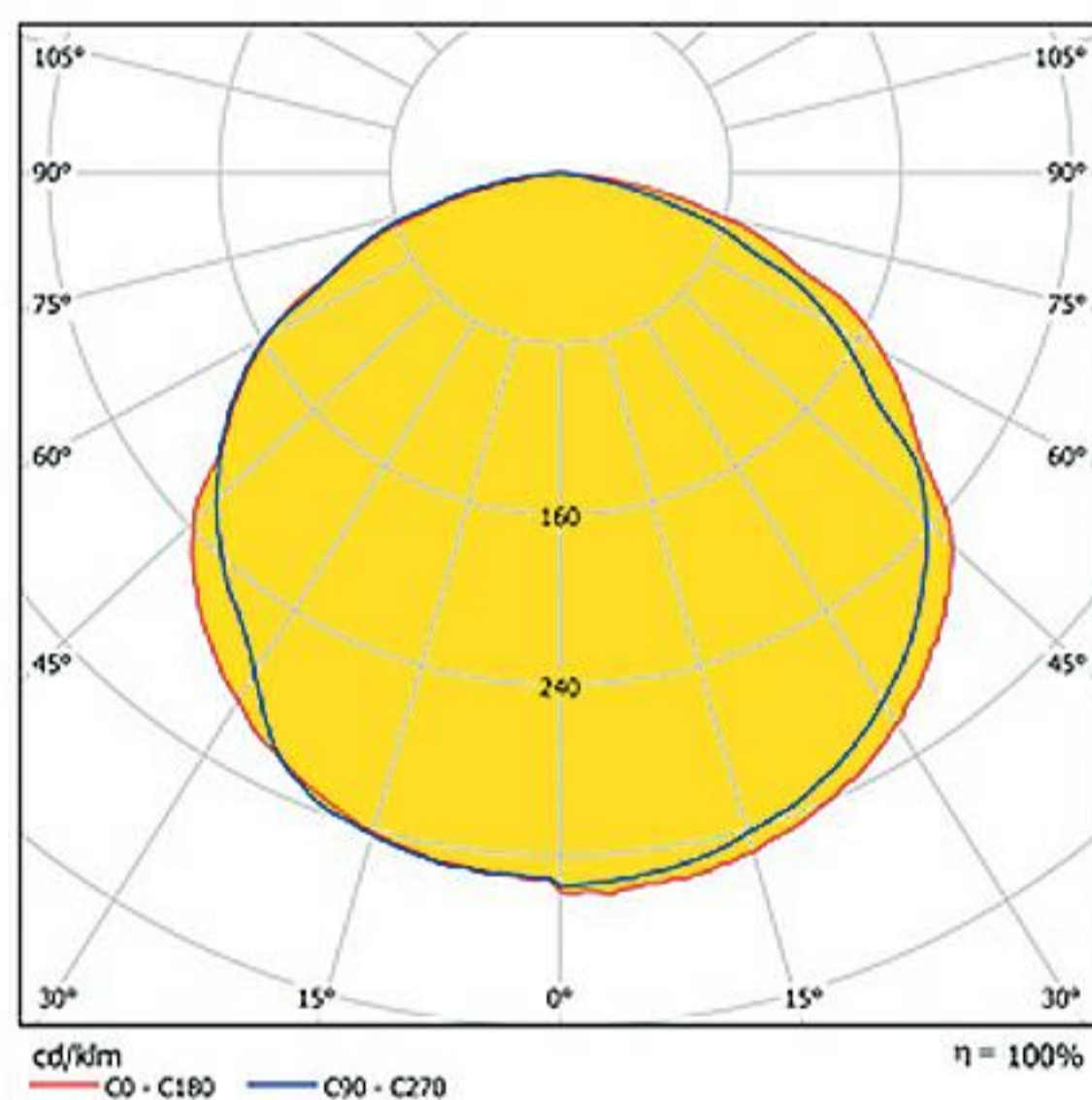


## LED Flood light

- Separating the power supply chamber (driver) from the light source
- Safety glass for less dazzle and more safety
- Heat and pressure resistant silicone washers
- Degree of Protection IP65 for the whole LED
- Low energy consumption due to the use of LED bulbs
- Basic design for easy installation of lights



### Light Distribution Curve

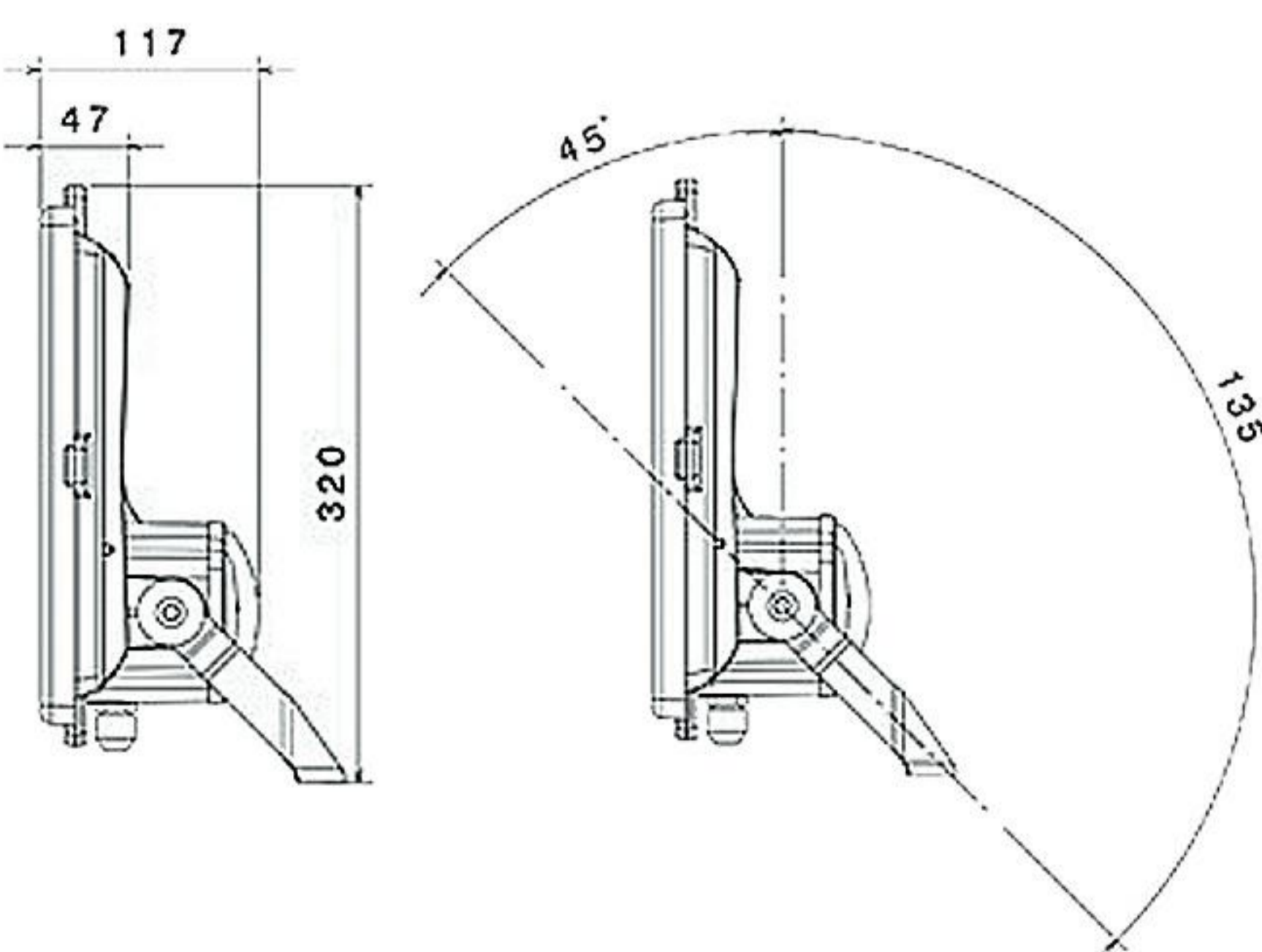
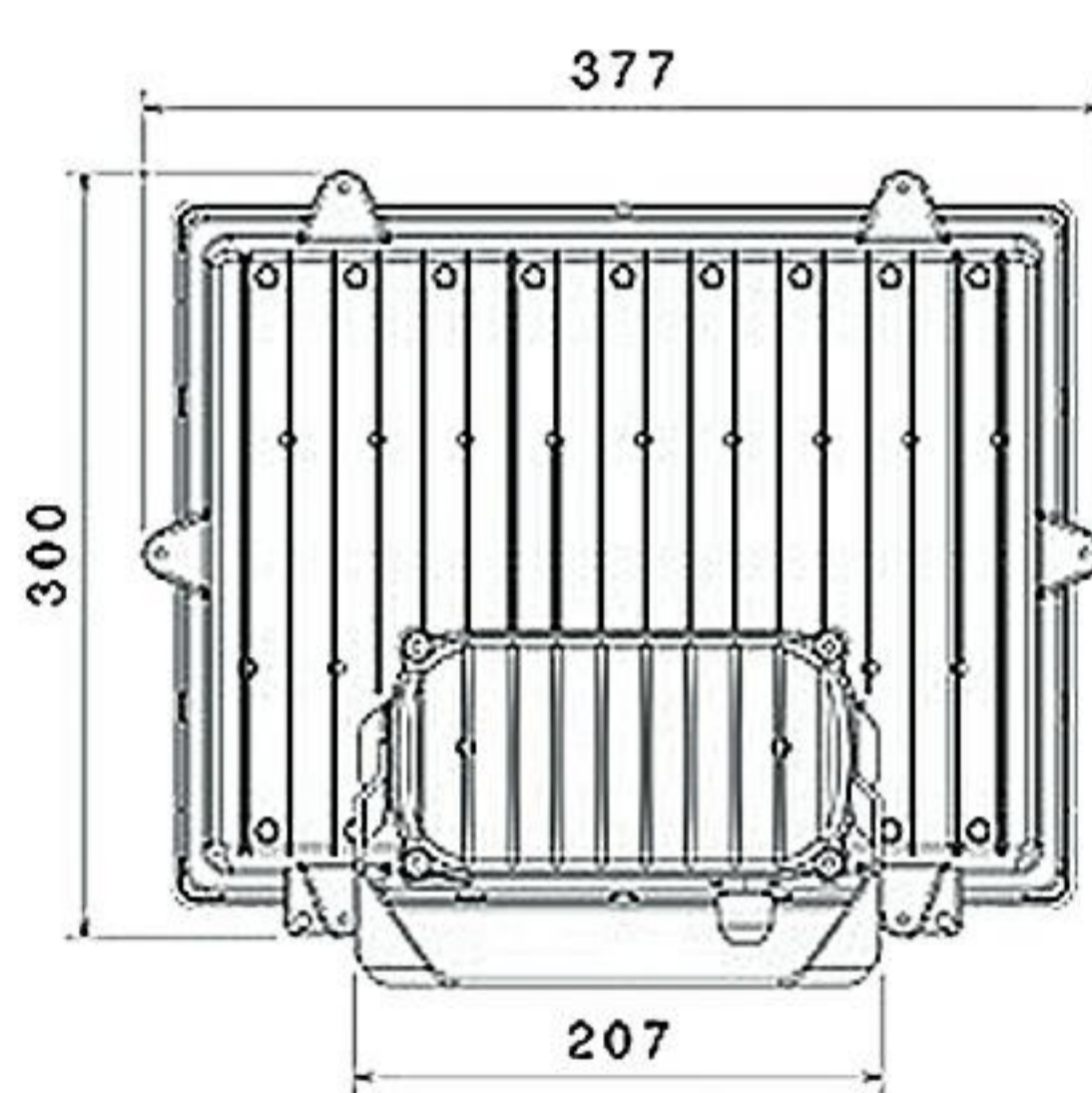
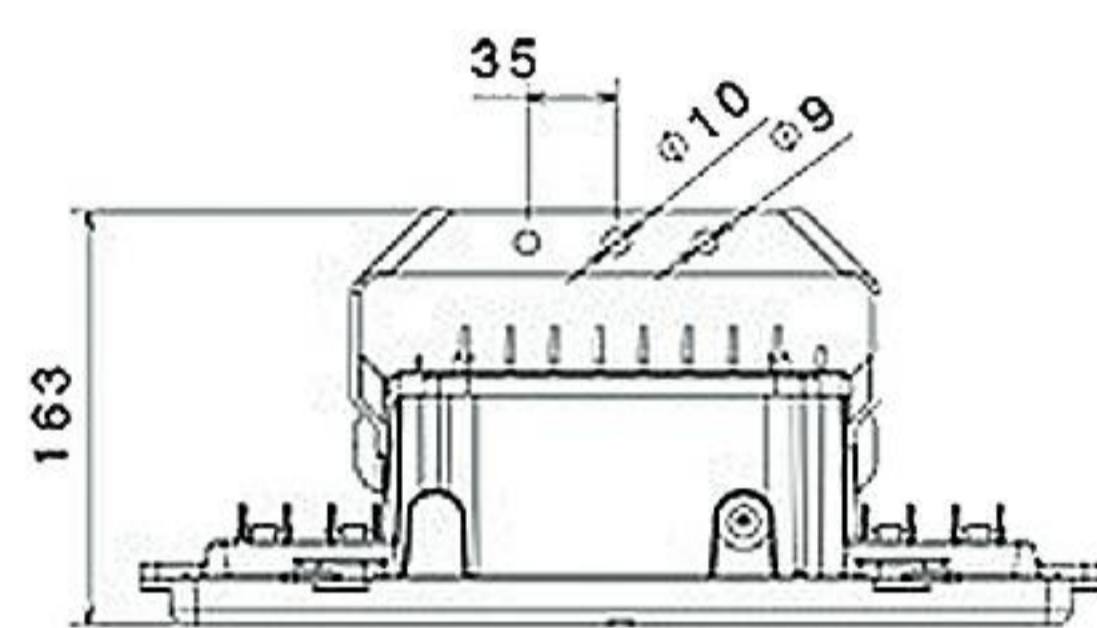


70-80-90-100W

### SPECIFICATION

Nominal power (W)	70	80	90	100
Light source	Power LED	Power LED	Power LED	Power LED
Rated power of LED	1 - 3 W	1 - 3 W	1 - 3 W	1 - 3 W
luminous flux (Lm)	6300	7627	8100	9000
luminous efficiency (Lm/W)	90	95	90	90
Nominal input voltage and frequency (Vac/Hz)	230/50			
River voltage and frequency range (Vac/Hz)	90~260 / 50~60			
Power factor	PF ≥ 95%			
Module type	Non-integrated			
Color indicator	80			
IP Protection	65			
Body Material	Aluminum die-cast			
Body cover	Electrostatic paint			
Weight (kg)	4.8			
Dimensions of light (mm)	377 x 300 x 117			

\* Color temperature values of 5000-6500 can be provided by customer order



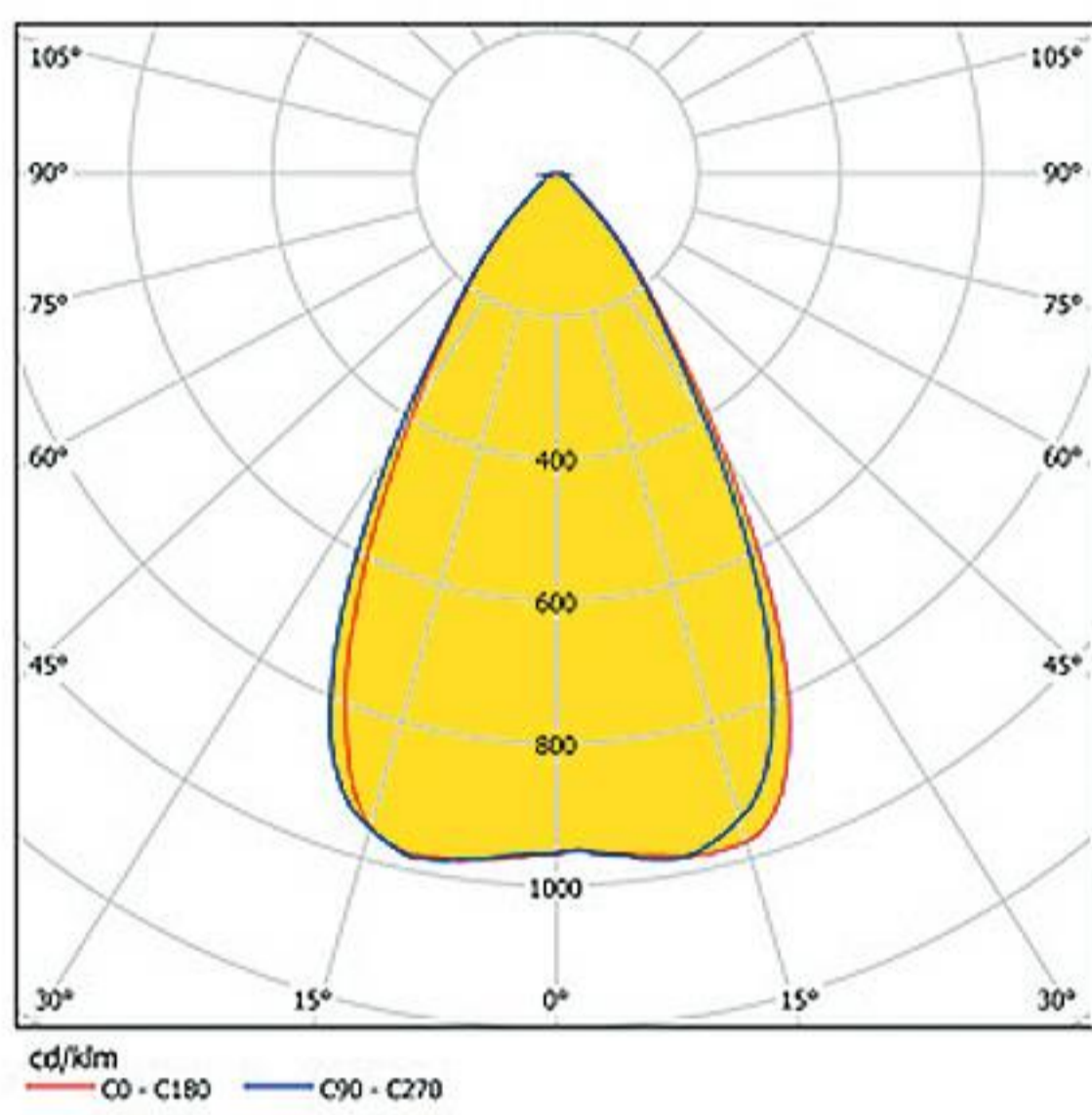


## LED Flood light

- Separating the power supply chamber (driver) from the light source
- Safety glass for less dazzle and more safety
- Heat and pressure resistant silicone washers
- Degree of Protection IP65 for the whole LED
- Low energy consumption due to the use of LED bulbs
- Basic design for easy installation of lights



### Light Distribution Curve

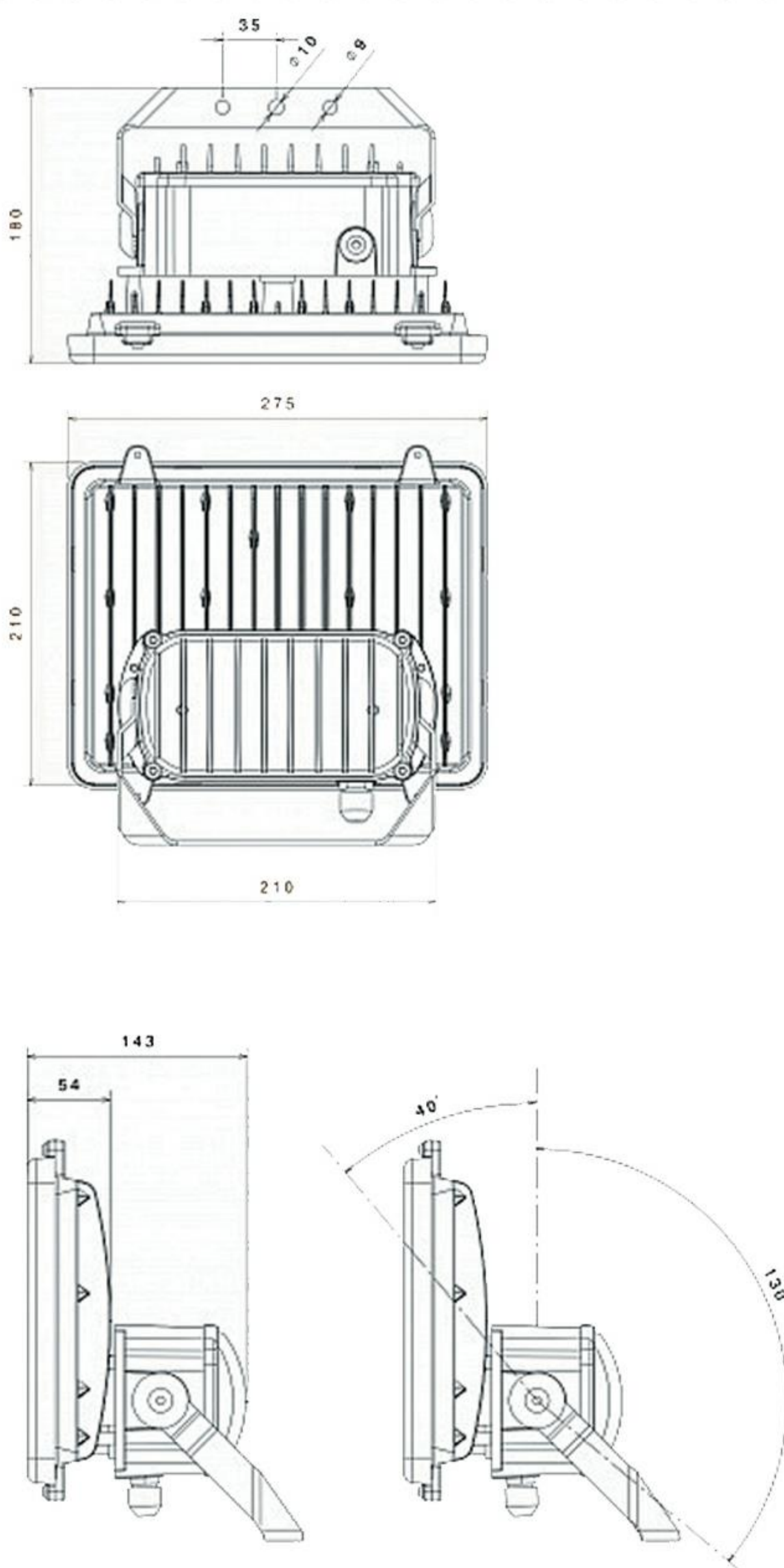


30-40-50-60W with lens (60D)

### SPECIFICATION

Nominal power (W)	30	40	50	60
Light source	Power LED	Power LED	Power LED	Power LED
Rated power of LED	1 - 3 W	1 - 3 W	1 - 3 W	1 - 3 W
luminous flux (Lm)	2925	3900	4890	5850
luminous efficiency (Lm/W)	97	97	97	97
Nominal input voltage and frequency (Vac/Hz)	230/50			
River voltage and frequency range (Vac/Hz)	90~260 / 50~60			
Power factor	PF ≥ 95%			
Module type	Non-integrated			
Color indicator	80			
IP Protection	65			
Body Material	Aluminum die-cast			
Body cover	Electrostatic paint			
Weight (kg)	3.4			
Dimensions of light (mm)	275 x 210 x 143			

\* Color temperature values of 5000-6500 can be provided by customer order





Ceiling Panels & LED Bulbs



Inground Lights & Wallwasher

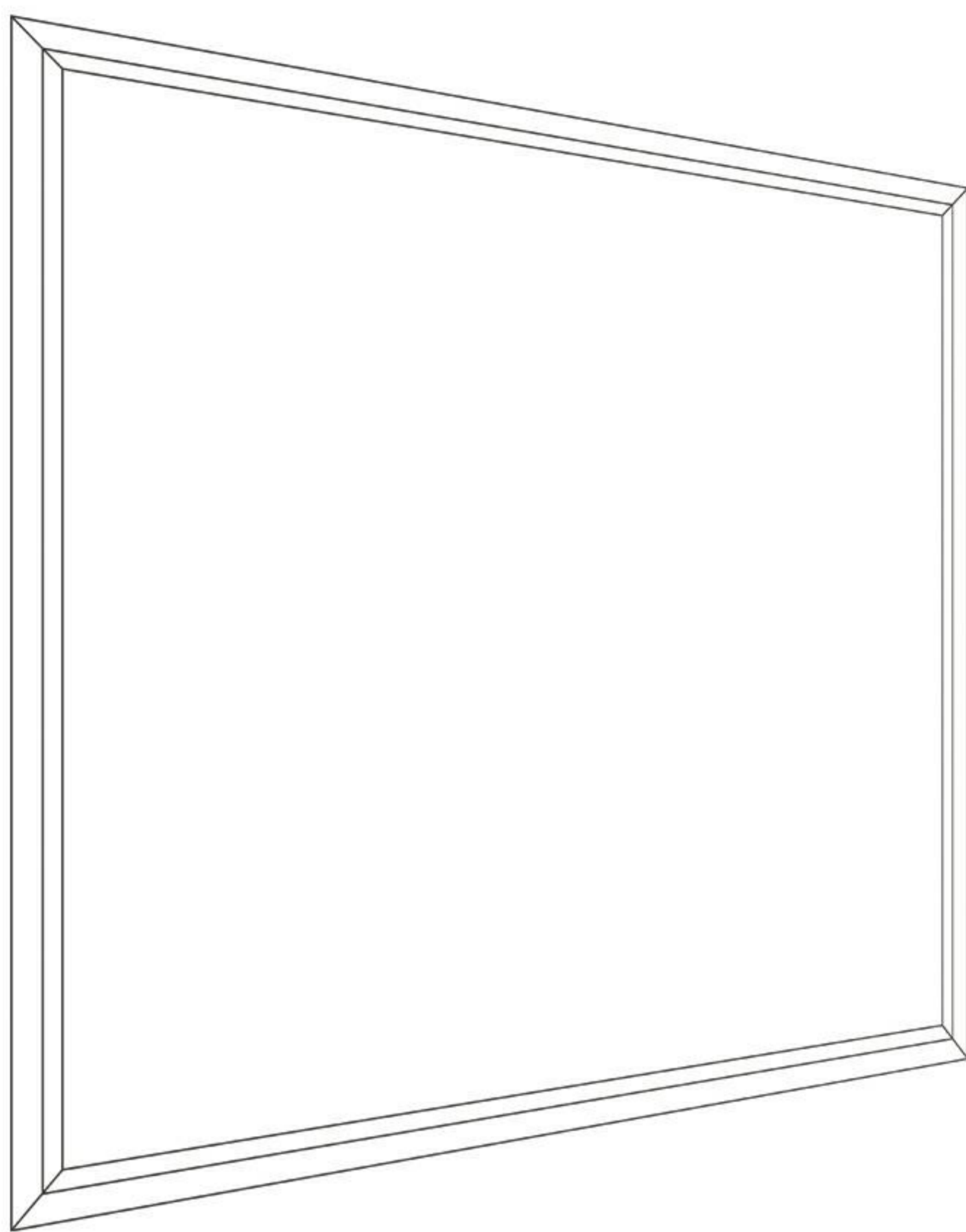
# Indoor & Outdoor lighting

# Ceiling Panels & LED Bulbs



## H-Light Ceiling panel

- Very low energy consumption and high optical efficiency
- Beautiful design with convenient heat dissipation system
- Can be installed as built-in and surface
- For interior lighting of residential, office and commercial environments
- Eco-friendly



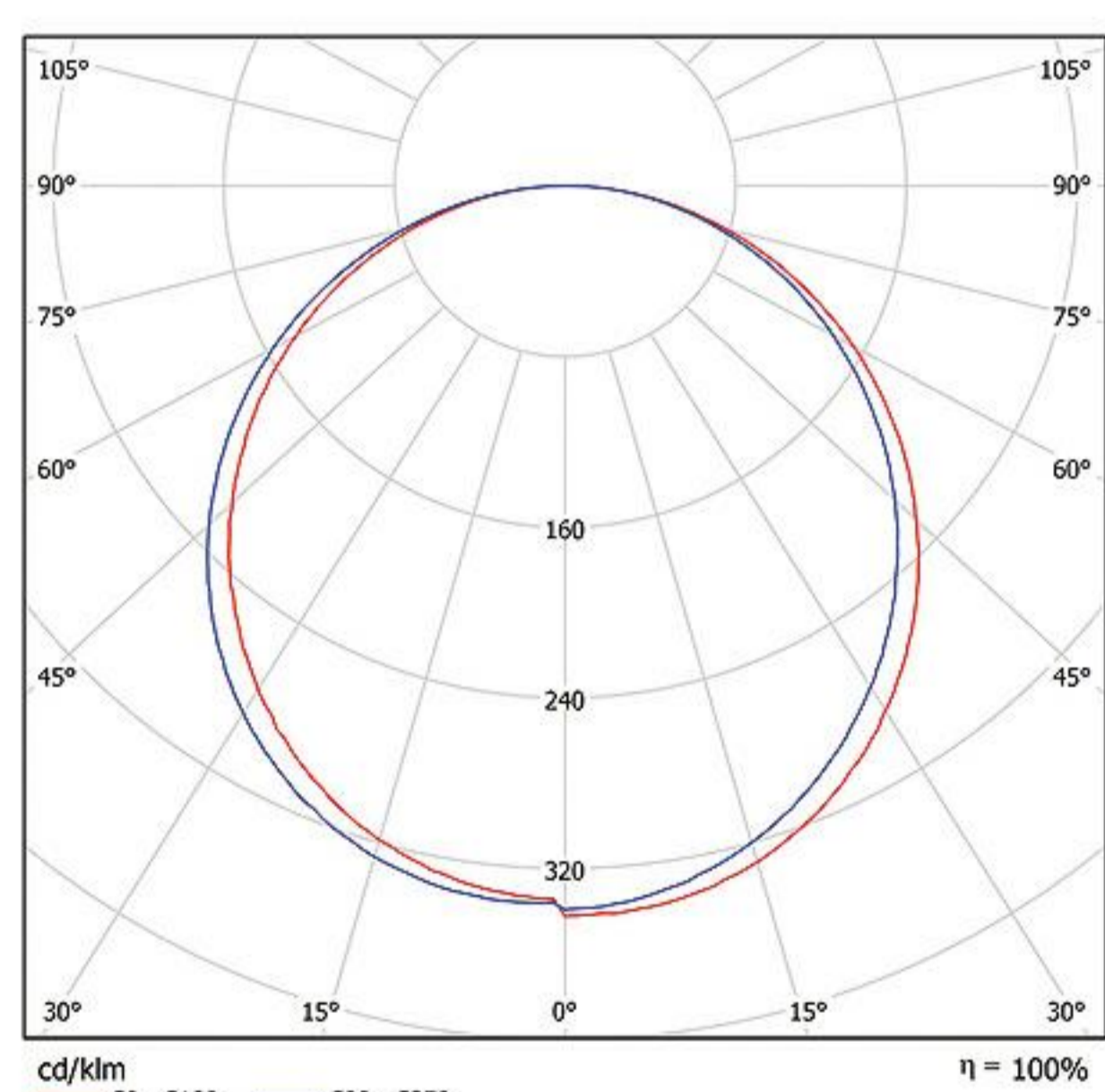
LED Driver input

input 220 V

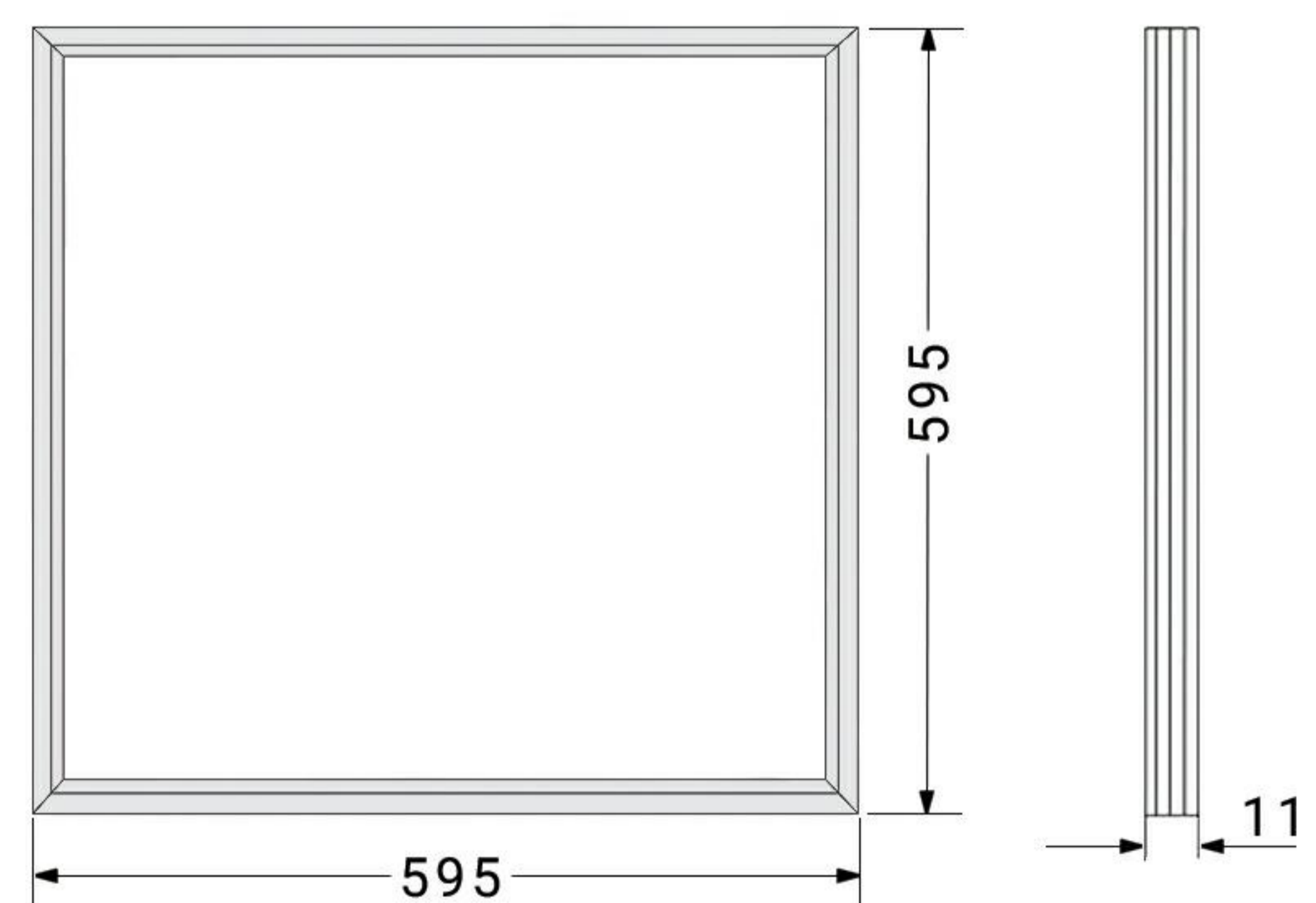
Installation and Operation

- Connect the driver input system to AC220 v to start according to the instructions

### Light Distribution Curve



36-50 W





Mahtab H-light T22-01  
Visit Online



## SPECIFICATION

Power range (W)	36	50	Module type	Non-integrated
Frequency (Hz)	50	50	Electric shock protection class	Class I
input voltage (V)	110-250	110-250	Chance is the outermost translucent wall	PS
luminous flux (Lm)	4680	6500	Operating temperature range (C°)	-30 ~ +50
luminous efficiency (Lm/W)	130	130	IP protection	40
Power factor	0.97		Energy efficiency group	+A
Efficiency	0.91		Body cover	Electrostatic paint
Harmonic waves	THD ≤ 15%		Installation type	Built-in and surface
Light source	SMD LED		Maximum weight (kg)	2
Number of single LEDs used in the panel	264		Dimensions of lights (mm)	595 x 595 x 11
Color temperature ( K° )	3000~6500		Packaging dimensions (mm)	600 x 600 x 15

## Back-Light Ceiling panel

- Can be installed as built-in and surface
- Very low energy consumption and high optical efficiency
- Beautiful design with convenient heat dissipation system
- For interior lighting of residential, office and commercial environments
- Eco-friendly



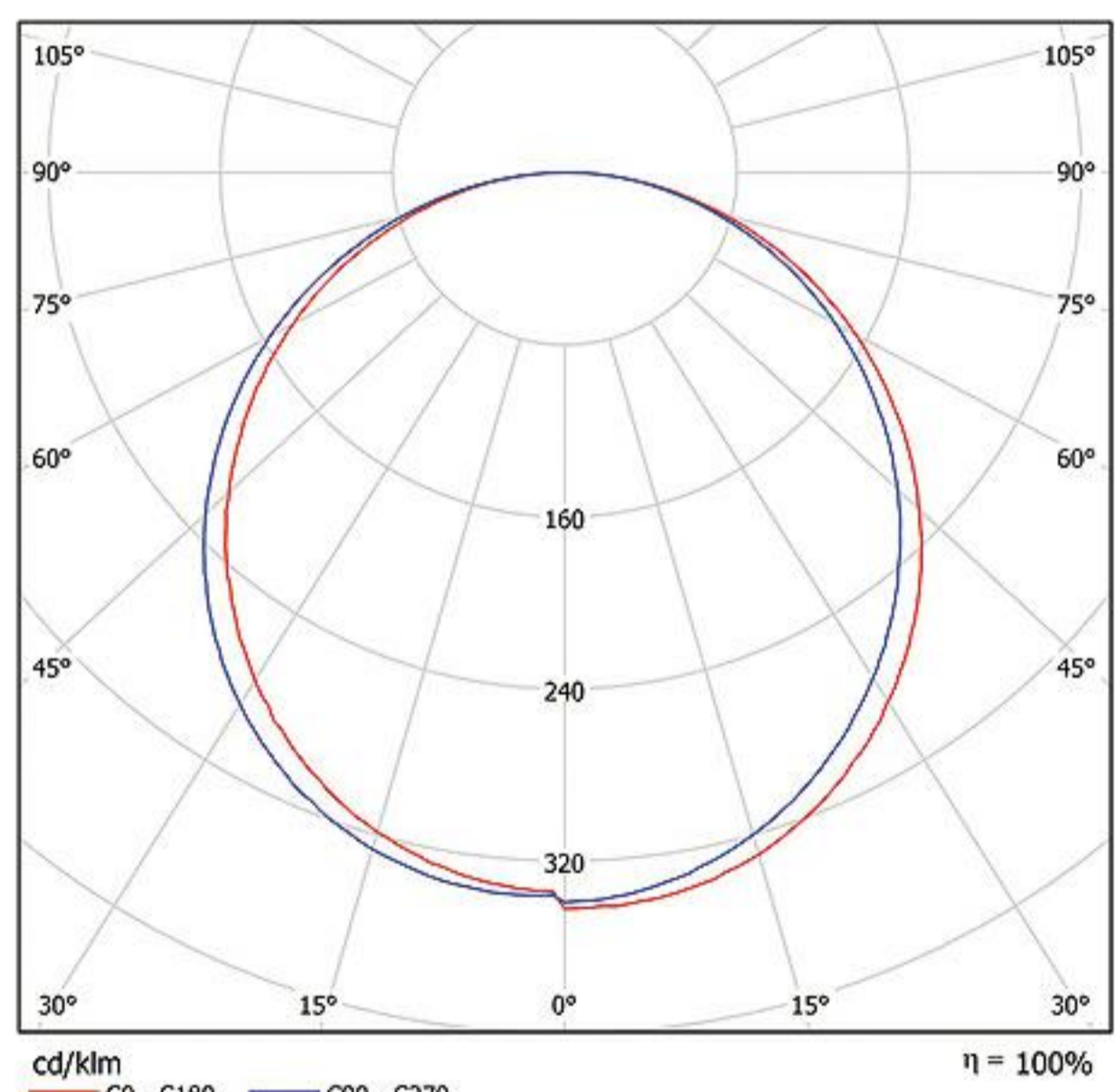
LED Driver input

input 220 V

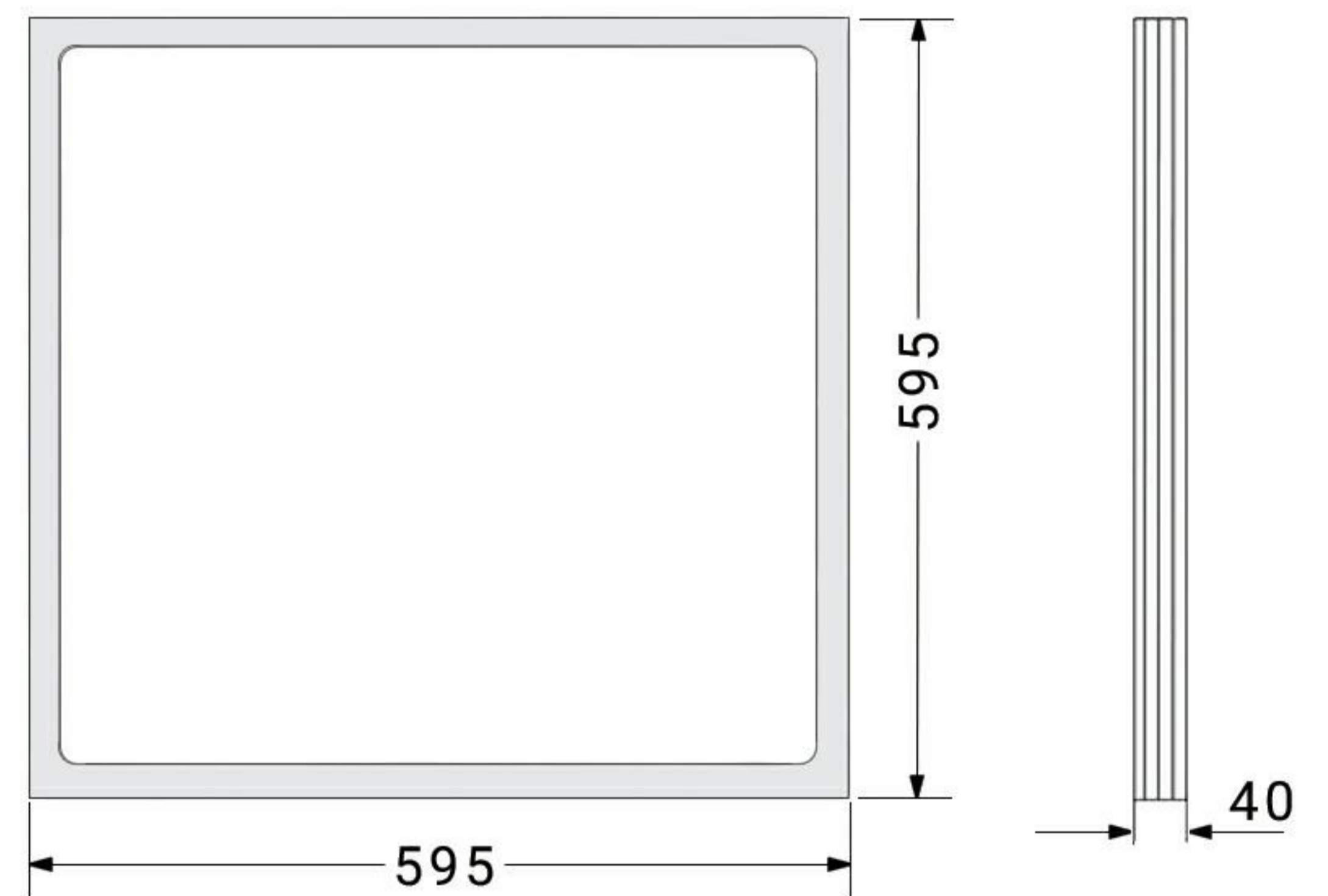
Installation and Operation
+

- Connect the driver input system to AC220 v to start according to the instructions

### Light Distribution Curve



50 W





Mahtab Back-light T22-02  
Visit Online



## SPECIFICATION

Power range (W)	50	Module type	Non-integrated
Frequency (Hz)	50	Electric shock protection class	Class I
input voltage (V)	110-250	Chance is the outermost translucent wall	PS
luminous flux (Lm)	7100	Operating temperature range	-30 ~ +50
luminous efficiency (Lm/W)	142	IP protection	40
Power factor	0.97	Energy efficiency group	+A
Efficiency	0.91	Body cover	Electrostatic paint
Harmonic waves	THD ≤ 15%	Installation type	Built-in and surface
Light source	SMD LED	Maximum weight (kg)	3
Number of single LEDs used in the panel	324	Dimensions of lights (mm)	595 x 595 x 40
Color temperature ( K° )	3000~6500	Packaging dimensions (mm)	600 x 600 x 45





## Circular Ceiling Panel

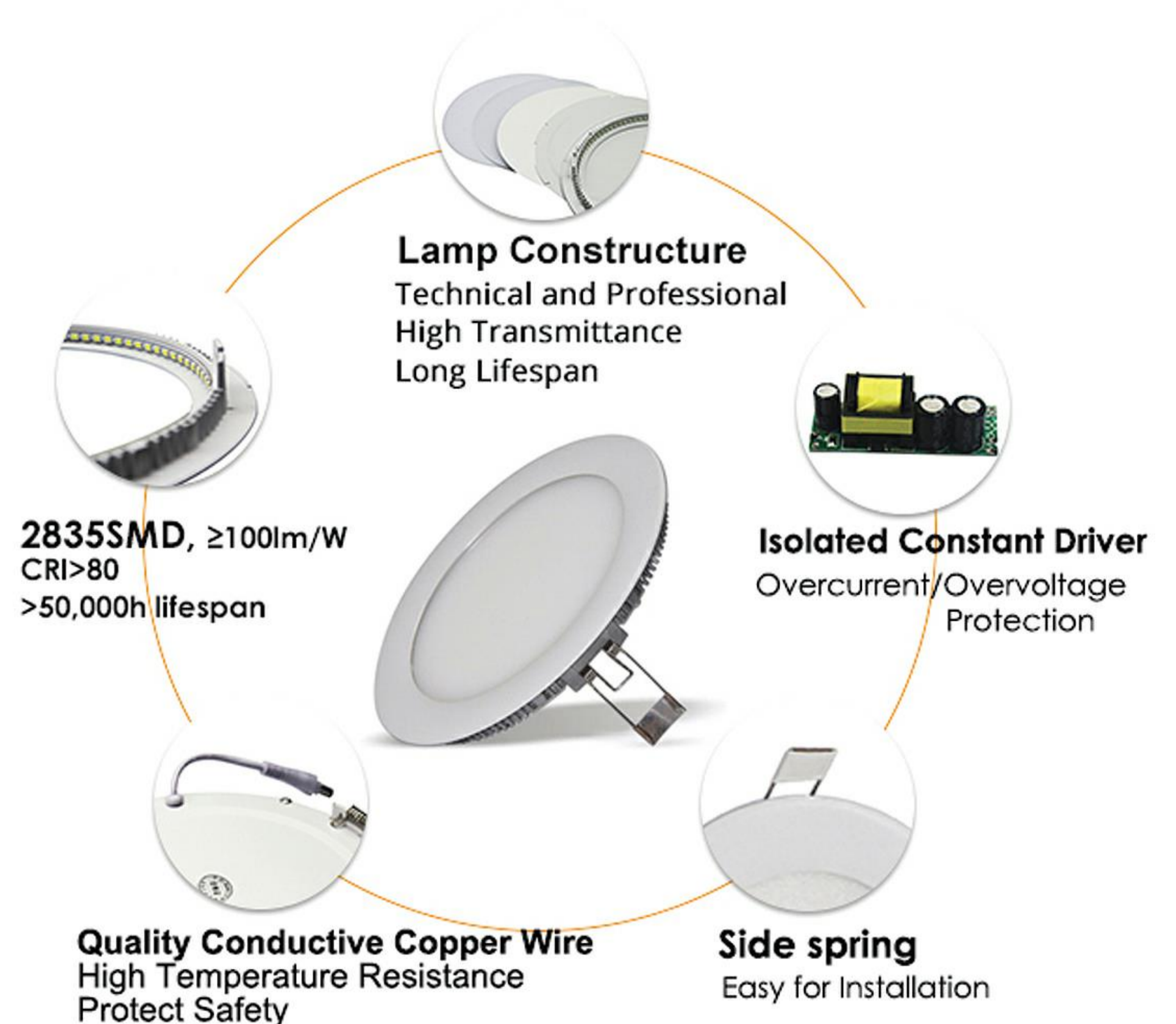


Mahtab circular T22-03  
Visit Online

- Very low energy consumption, light efficiency and longevity
- Suitable for interior and decorative lighting

### SPECIFICATION

Power range (W)	18
Frequency (Hz)	50
input voltage (V)	220 - 240
luminous flux (Lm)	100
Light source	SMD LED
LED Chip	SMD2835
LED Module type	Non-integrated
CRI	> 70
Color temperature ( K° )	3000~6500
Diameter (mm)	225
Hole diameter (mm)	Ø 205





# ( T23 ) LED BULB



LED Bulb T23  
Visit Online



- Very low energy consumption and high optical efficiency
- Suitable for public lighting , residential homes , office and commercial environments



## SPECIFICATION

Power range (W)	9	12	15	18
Lamp diameter (mm)	60	60	70	80
Frequency (Hz)	50	50	50	50
input voltage (V)	85 - 265			
luminous efficiency (Lm/W)	120			
Light source	SMD LED			
LED Chip	SMD2835			
LED Module type	Non-integrated			
CRI	> 70			
Color temperature ( K° )	6000 - 6500			
Lamp Holder	E27 B22			

# LED Inground lights ( T24 )

## Taban Model



## in-ground Lights



### TABAN INGROUND LIGHTS T24

Visit Online

- It has two separate compartments for use inside
- Very low energy consumption and high optical efficiency
- Shockproof glass and corrosion resistant body

#### SPECIFICATION / Electrical & Mechanical

Nominal power (W)	18	23	36
Nominal input (A@V)	0.035	0.140	0.110
Frequency (Hz)	50	50	50
Power factor	0.95	0.95	0.95
Input voltage (V)	85 - 265		
Light source	SMD LED		
Harmonic waves (THD)	THD ≤ 15%		
LED Module type	Non-integrated		
Protection against electrical shock class	Class I		
IP protection	67		
Body	Aluminum die-casting		
The material of the outermost translucent wall	Tempered glass		

#### SPECIFICATION / Optical

Nominal power (W)	18	23	36
luminous flux (Lm)	1440	1840	2880
luminous efficiency (Lm/W)	80	80	80
Color indicator	75		
Color coordinate tolerance	5SDCM		
Metering code	765/559		
luminous flux conservation code	9		
Radiation angle / degree	10,25,60		
Function temperature range (C°)	-20 ~ +50		
Nominal life length (hour)	50000		
* Color temperature values 3000, 4000, 5000, 6500 can be provided by customer order			



# ( T25 ) LED Wallwasher lights

## Soha Model



- Very low energy consumption and high optical efficiency
- Suitable for building lighting - outdoor environments and tunnels
- High degree of protection and suitable coefficient for use in soil environments

**Soha Wallwasher T25**  
Visit Online



### SPECIFICATION / Electrical & Mechanical

Nominal power (W)	24	36
Nominal input (A@V)	0.140	0.110
Frequency (Hz)	50	50
Power factor	0.95	0.95
Input voltage (V)	85 - 265	
Light source	SMD LED	
Harmonic waves (THD)	THD ≤ 15%	
LED Module type	Non-integrated	
Protection against electrical shock class	Class I	
IP protection	67	
Body	Aluminum die-casting	

The material of the outermost translucent wall

Tempered glass

### SPECIFICATION / Optical

Nominal power (W)	24	36
luminous flux (Lm)	1840	2880
luminous efficiency (Lm/W)	80	80
Color indicator	75	
Color coordinate tolerance	5SDCM	
Metering code	765/559	
luminous flux conservation code	9	
Radiation angle / degree	10,25,60	
Function temperature range	-20 ~ +50	
Nominal life length (hour)	50000	

\* Color temperature values 3000, 4000, 5000, 6500 can be provided by customer order

# Esfahan Alumin Company

# TAKNOOR

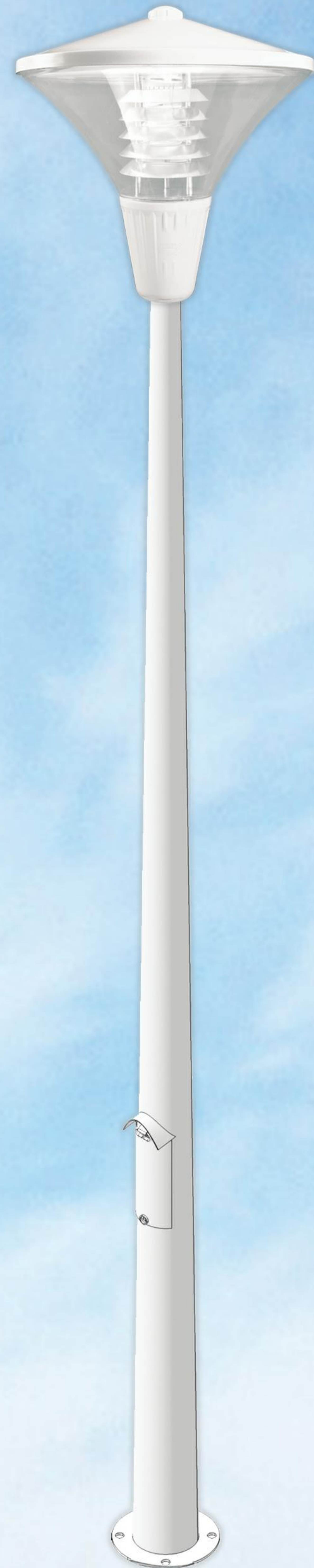
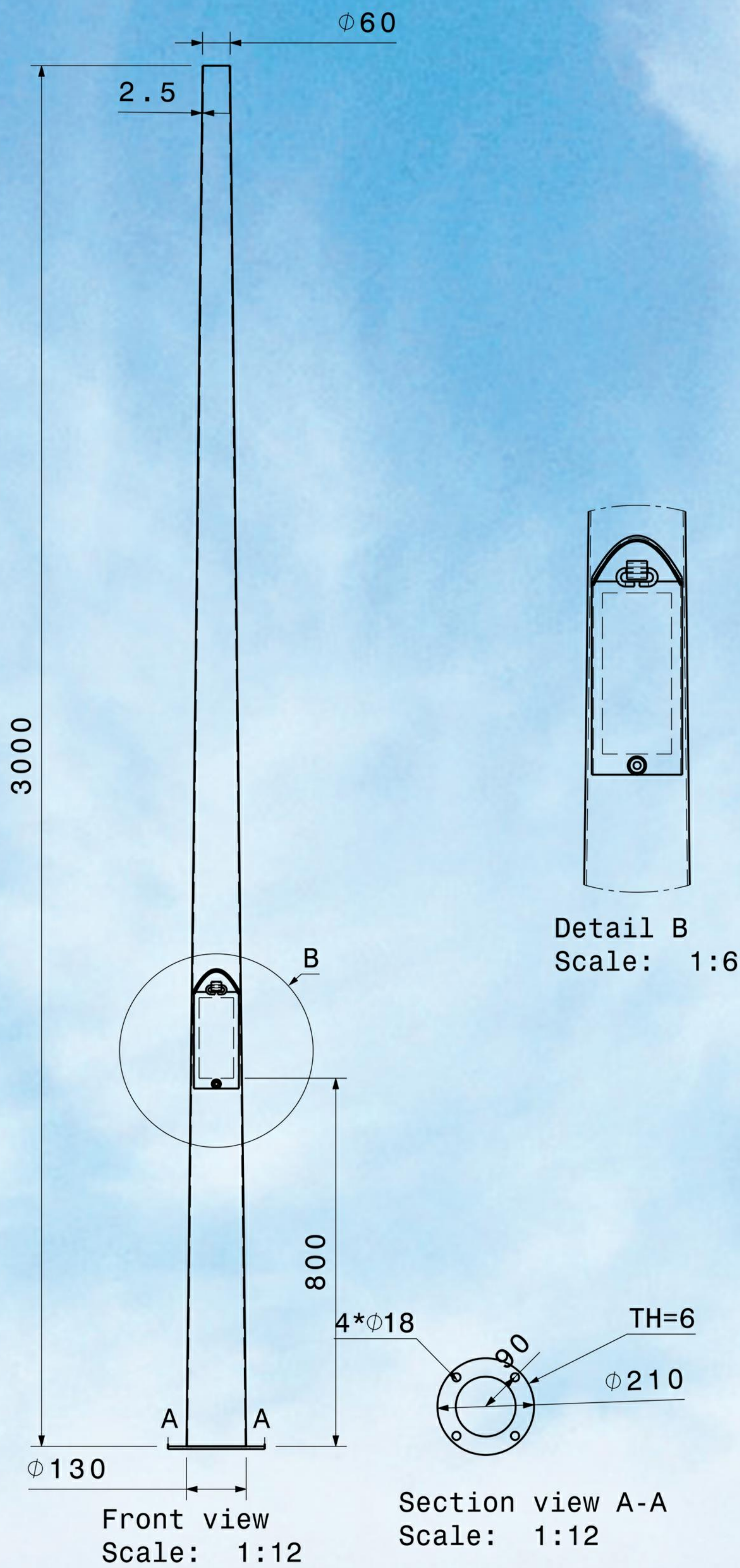


Lighting Poles

Multi-faceted cone lighting poles project

Possibility of producing

### Multi-faceted and simple 3-meter conical lighting base



and manufacturing 3-meter multi-faceted and simple lighting poles

# Mobile App

## Taknoor social media

With its constant presence in the virtual community through its website, applications and social networks, Taknoor has been able to reach countless audiences, including general users, distributors and contractors, engineers and professionals working in the lighting industry. We invite you to join the large family of Taknoor and enjoy the following benefits:

- Information about the latest products and services of the company, attending exhibitions
- Receive technical information of products, optical files and drawings
- A wide range of our professional staff in product introduction, marketing, technical consultants and sales are available to meet your needs

For more information, visit the website: [www.Taknoor.com](http://www.Taknoor.com)



Follow Taknoor on social media

  Taknoorlighting



# Web site



Lined area for writing notes, consisting of multiple horizontal dotted lines.



We think of the light of the city



#### **Central office**

Units 14 and 15 ,Fourth Floor, Phase 3  
Arg Jahan Nama, Imam Hossein Square  
Isfahan ,IRAN

Phone : (+98) 31 - 32121646-7

(+98) 31 - 32121368

Fax : (+98) 31 - 32121369

Website : [www.Taknoor.com](http://www.Taknoor.com)

#### **Factory**

No.220, Phase 1, 4Th Street, Mourche  
khort Industrial, Isfahan, IRAN

Phone : (+98) 31 - 45642355

(+98) 31 - 45642955

Fax : (+98) 31 - 45642655

E-mail : [info@taknoor.com](mailto:info@taknoor.com)